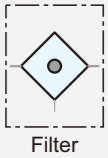


FRL COMBINATIONS

FRL COMBINATIONS

Symbol



Features

- * UMF series effectively removes oil, water, carbon and particle.
- * With 0.01 μ m glass fiber filter element.
- * High quality control ensures stable running and long life.
- * Convenient to see air quality from pressure indicator, prevent the filter element from clogging.



Note: Please install air filter UF series upstream to extend life of filter element.

How to order

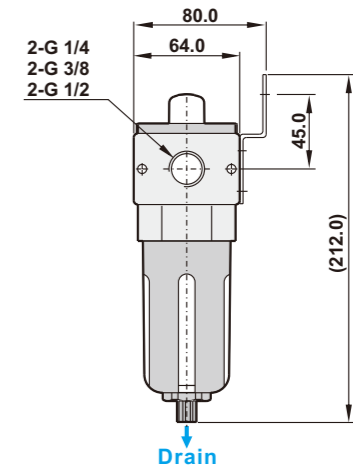
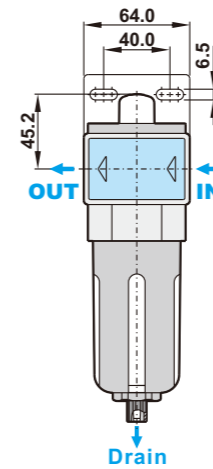
UMF	- 02	N	K	H	B	A
Coalescing filter	Port size	Thread	Filtration	Drain	Mounting bracket	Bowl
02	1/4"	Blank G	Blank 0.01 μ m	Blank	Blank W/O bracket	Blank Standard bowl
03	3/8"	N NPT	Activated	Semi-auto drain	B W/I bracket	A Anti-acid & alkali bowl
04	1/2"	R Rc	K charcoal	H Manual drain		AL Aluminum bowl (1/4"~1/2")
06	3/4"		filter element			
08	1"					

Specifications

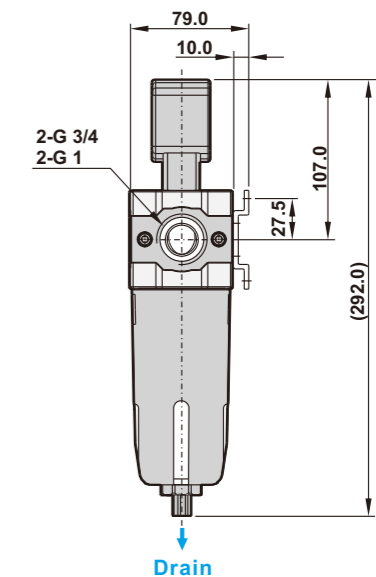
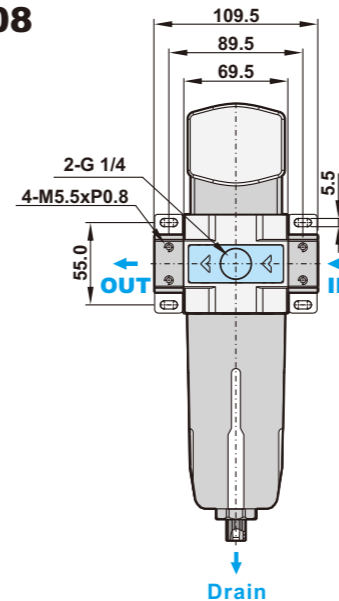
Model	UMF-02	UMF-03	UMF-04	UMF-06	UMF-08
Port size	1/4"	3/8"	1/2"	3/4"	1"
Fluid	Compressed air				
Body material	Aluminum die-cast				
Bowl material	Polycarbonate (Standard), Anti-acid & alkali bowl (Option), Aluminum bowl (Option)				
Filtration	0.01 μ m (Standard)				
Operating pressure range	0.5 ~ 10 kgf/cm ²				
Proof pressure	15 kgf/cm ²				
Max. flow rate l/min(ANR)	2050	2100	2150	3800	3850
Ambient temperature	0 $^{\circ}$ C ~ 60 $^{\circ}$ C				
Filter bowl capacity		65cc			115cc
Standard drain		Semi-auto drain (Drains below 0.5kgf/cm ²)			
Net weight		600g			1200g

Dimensions

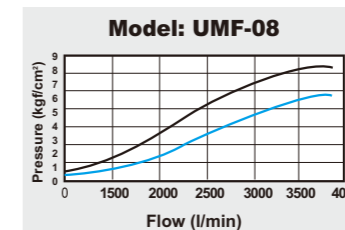
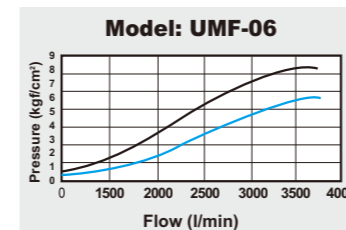
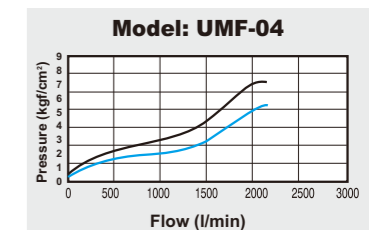
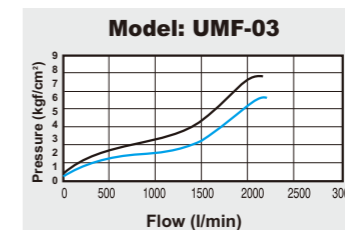
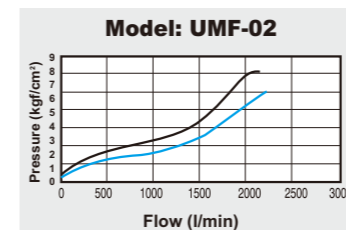
UMF-02, 03, 04



UMF-06, 08



Flow chart



Note:

X axis: Flow (l/min)
Y axis: Pressure (kgf/cm²)
Blue line (P0) = Outlet pressure
Black line (P1) = Inlet pressure
P1-P0=Pressure range