

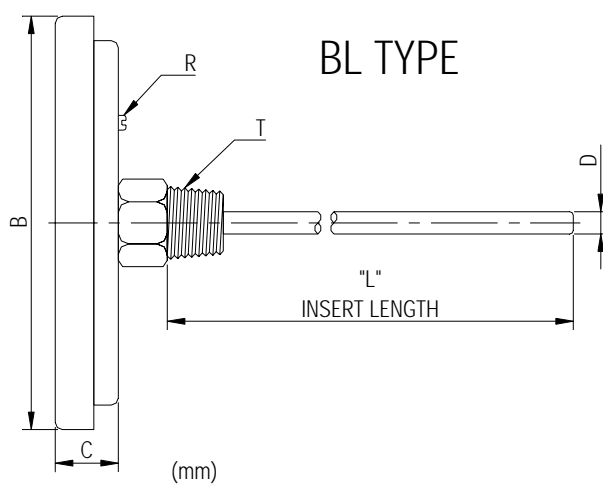
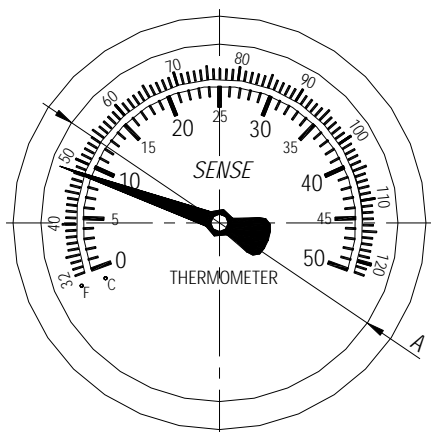


# BI-METAL DIAL THERMOMETERS BL(T)

## BL TYPE



Note:  
 When ordering specify  
 1.Type No.  
 2.Case Dial.  
 3.Temperature Range.  
 4.Connection.  
 5.Stem Dial.  
 6.Stem Length.



Type No. Symbol	A	B	C	D	L	T
BL2	49	58	14	6 6.35 8 10 12	by order	1/4"PT
BL3	70	84	17			3/8"PT
BL4	100	119	18			1/2"PT
BL5	125	141	18			3/4"PT
BL6	150	166	18			

### Specifications.

- Case Material: 304 、 316 s.s.
- Case Dial: 1.5"、 2"、 2.5"、 3"、 4"、 5"、 6"
- Stem Material: 304 、 316s.s.
- Temperature Range: -50 ~ 600°C
- Windows: Glass.
- Connection: 1/4"PT 、 3/8"PT 、 1/2" PT 、 3/4"PT 、 1"PT
- Stem Length: By order.
- Stem Dial: 6mm 、 6.35mm 、 8mm.
- Accuracy: ± 1%F.S..
- Type: BL TYPE
- Applications: Transformer 、 petrochemicals 、 driers 、 foods 、 air conditioning equip 、 boilers & other general industrial uses.