

### UH Series High-Pressure Solenoid Valve



● UH-25

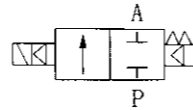


● UH-15

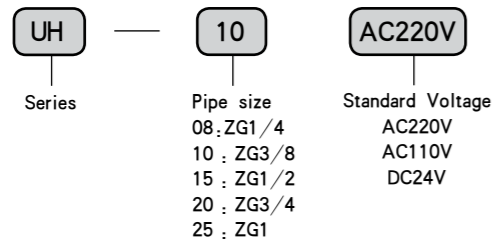


● UH-08

■ Graphics Sign



● Technical Parameter



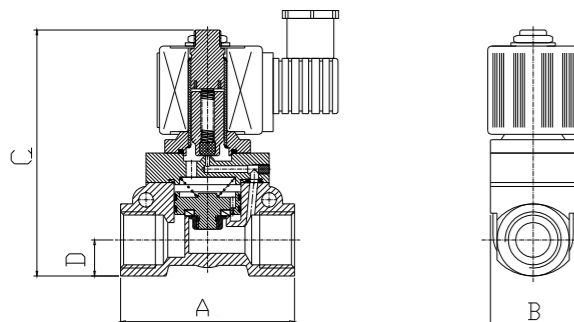
■ Character

This guiding type valve adopts the diaphragm seal structure, with zero differential pressure starting function, large flow, simple structure, easy maintenance, good waterproof performance directions and multiple wiring directions.

■ Technical Parameter

Item \ Specification	UH-08	UH-10	UH-15	UH-20	UH-25
Material of Body	Cast copper				
Operating Method	Plunger Pilot				
Nominal Diameter(mm)	14	14	14	20	25
Applicable Medium	Air, Water, Oil(20CST Below)				
Pressure Range	0.3 ~ 5.0MPa				
Medium Temperature	0 ~ 90°C (No Freeze)				
Specified Voltage	AC24V, AC36V, AC110V, AC220V, DC24V, DC110V				
Operating Voltage Range	±10%				
Min. Activating Time	0.05S				
Install Method	Horizontal Installation				

■ Figure Dimension



Specification	A	B	C	D
UH-08	65	33	90	16
UH-10	65	33	90	16
UH-15	65	33	90	16
UH-20	92	45	120	20
UH-25	92	45	120	20

### TUS Series High-temperature Solenoid Valve



● TUS-50

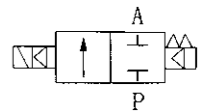


● TUS-25

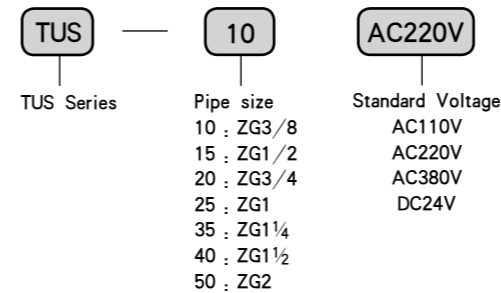


● TUS-15

■ Graphics Sign



● Ordering Code



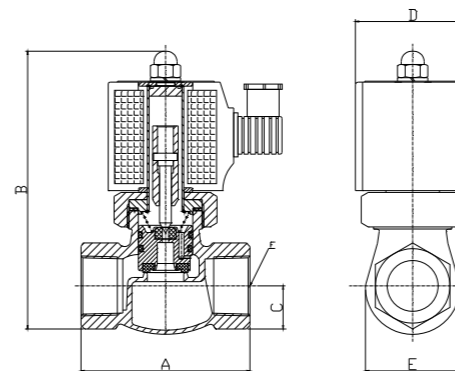
■ Character

It adopts teflon hard seal structure, with reliable performance, anticorrosion, high-temperature resistance, large flow, high pressure, good waterproof performance and multiple wiring directions.

■ Technical Parameter

Item \ Specification	TUS-10	TUS-15	TUS-20	TUS-25	TUS-35	TUS-40	TUS-50
Material of Body	Foundry						
Operating Method	Plunger pilot						
Pipe Size	ZG3/8	ZG1/2	ZG3/4	ZG1	ZG1 1/4	ZG1 1/2	ZG2
Nominal Diameter(mm)	17	17	17	20	30	30	50
Applicable Fluid	Air, Water, Oil(20CST Below), Steam						
Pressure Range	0.05 ~ 1.5MPa						
Medium Temperature	-5 ~ 185°C (No Freeze)						
Specified Voltage	AC24V, AC36V, AC110V, AC220V, AC380V, DC24V, DC110V						
Operating Voltage Range	±10%						
Min. Activating Time	0.05S						
Install Method	Horizontal Installation						

■ Figure Dimension



Specification	A	B	C	D	E	F
TUS-10	85	136	15	φ 63.5	40	ZG3/8
TUS-15	85	136	15	φ 63.5	40	ZG1/2
TUS-20	85	136	20	φ 63.5	40	ZG3/4
TUS-25	93	146	23	φ 63.5	52	ZG1
TUS-35	112	166	35	φ 63.5	70	ZG1 1/4
TUS-40	112	166	35	φ 63.5	70	ZG1 1/2
TUS-50	168	205	45	φ 63.5	86	ZG2