

PU 225 Series 2/2 Solenoid Valve(Guide type)



Ordering Code

PU — **225** — **03** — **A** — **AC220V** — **T**

Specification Code
PU: Two-position two-way solenoid valve
SPU: Stainless steel two-position two-way solenoid valve

Motion Pattern
225: Guide Type

Port Size
03: G3/8"
04: G1/2"
06: G3/4"
08: G1"
12: G1 1/4"
14: G1 1/2"
20: G2"

Initial Estate
A: Standard Type
F: Flange Type

Standard Voltage
AC220V
AC110V
DC12V
DC24V

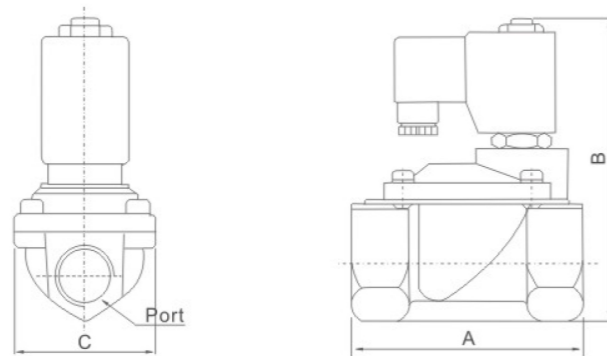
Wiring Form
Blank: Standard Coil
T: Timer Coil



Specification

Model	PU225-03A	PU225-04A	PU225-06A	PU225-08A	PU225-12A	PU225-14A	PU225-20A
Working Medium	Air, Water, Oil						
Motion Pattern	Guide Type						
Type	Normal Close Type						
Aperture of Flow Rate(mm)	13	13	25	25	38	38	50
CV Value	4.50	4.50	12.00	12.00	22.00	30.00	48.00
Port Size	G3/8"	G1/2"	G3/4"	G1"	G1 1/4"	G1 1/2"	G2"
Operation Fluid Viscosity	50 CST (Below)						
Working-pressure	0.05~1.0MPa						
Max. Pressure Resistance	1.5MPa						
Operating Temperature Range	-5~+80°C						
Material of Body	Brass or steel						

Overall Dimensions



Dimension Sheet

Model	Bore	A	B	C
PU225-03A	G3/8"	66.5	106.5	48.0
SPU225-03A	G3/8"	66.5	106.5	48.0
PU225-04A	G1/2"	66.5	106.5	48.0
SPU225-04A	G1/2"	66.5	106.5	48.0
PU225-06A	G3/4"	72.0	113.0	58.0
SPU225-06A	G3/4"	72.0	113.0	58.0
PU225-08A	G1"	96.0	121.0	70.0
SPU225-08A	G1"	96.0	121.0	70.0
PU225-12A	G1 1/4"	128.0	145.5	96.0
SPU225-12A	G1 1/4"	128.0	145.5	96.0
PU225-14A	G1 1/2"	128.0	145.5	96.0
SPU225-14A	G1 1/2"	128.0	145.5	96.0
PU225-20A	G2"	161.0	160.5	112.0

PU 225 Series Solenoid Valve(Steam Type)



Ordering Code

PU — **225** — **03** — **S** — **AC110V**

Specification Code
PU: Two-position two-way solenoid valve

Motion Pattern
225: Guide Type

Port Size
03: G3/8" 04: G1/2"
06: G3/4" 08: G1"

Initial Estate
S: Steam Type

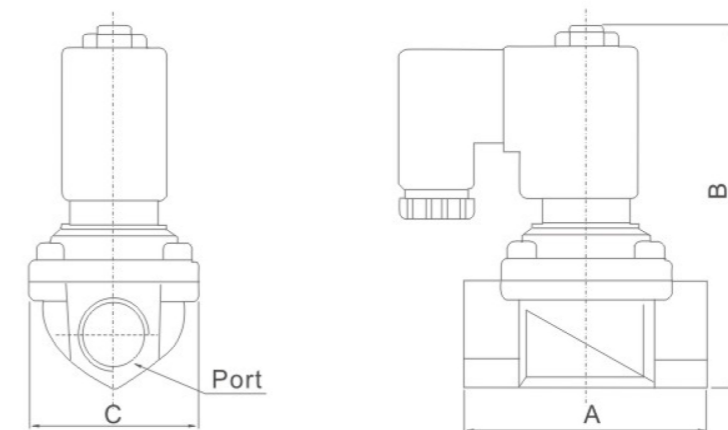
Standard Voltage
AC230V AC110V
DC12V DC24V



Specification

Model	PU225-03S	PU225-04S	PU225-06S	PU225-08S
Working Medium	Air, Water, Oil			
Motion Pattern	Guide Type			
Type	Normal Close Type			
Aperture of Flow Rate(mm)	13	13	25	25
CV Value	4.5	4.50	12.00	12.00
Port Size	G3/8"	G1/2"	G3/4"	G1"
Operation Fluid Viscosity	50 CST			
Working-pressure	0.05~1.0MPa			
Max. Pressure Resistance	1.5MPa			
Operating Temperature Range	-10~+185°C			

Overall Dimensions



Dimension Sheet

Model	Port	A	B	C
PU225-03S	G3/8"	65	121	48
PU225-04S	G1/2"	65	121	48
PU225-06S	G3/4"	97	152	70
PU225-08S	G1"	97	152	70