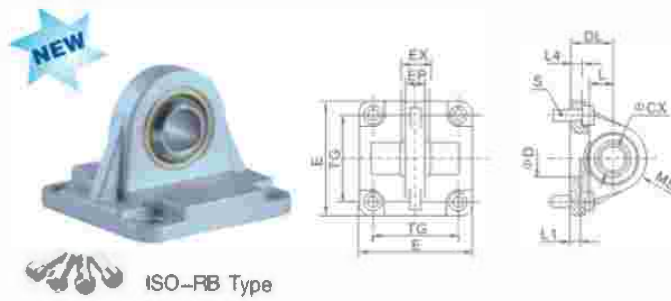
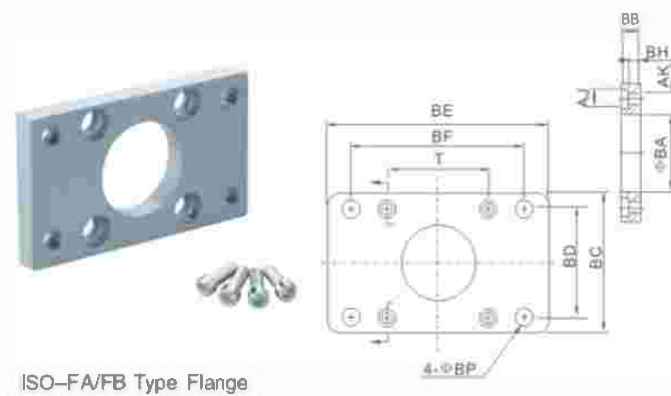


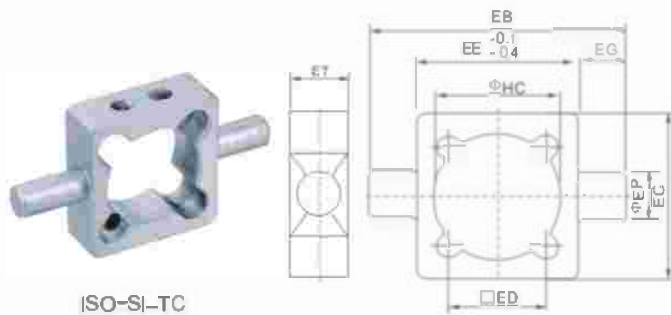
ISO Standard Cylinder Accessories



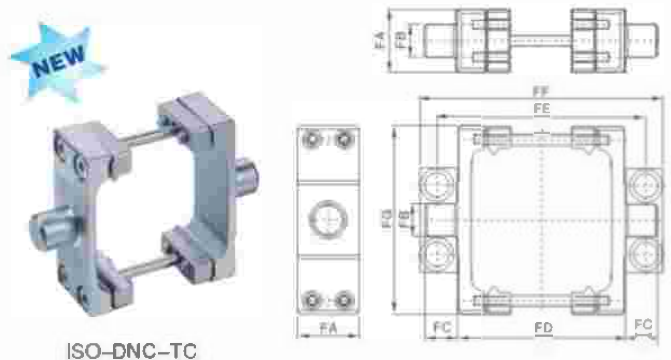
Symbol/Bore	32	40	50	63	80	100
TG	32.5	38	46.5	56.5	72	89
EX	10	12	16	16	20	20
DL	22	25	27	32	36	41
L	12	15	15	20	20	25
EP	14	16	21	21	25	25
EP	M6x20	M6x20	M8x20	M8x20	M10x25	M10x25
L4	5.5	5.5	6.5	6.5	10	10
D	30	35	40	45	45	55
L1	7	7	7	7	9	9
E	45	52	65	75	95	115
MS	16	16	21	23	28	30



Symbol/Bore	32	40	50	63	80	100	125	160	200
AJ	11	11	14	14	17	17	19	25	25
AK	7	7	9	9	11	11	13	17	17
BA	30.5	35.5	40.5	45.5	45.5	55.5	60.5	65.5	75.5
BB	10	10	12	12	16	16	20	20	25
BC	47	53	65	75	95	115	140	180	220
BD	32	36	45	50	63	75	90	115	135
BE	80	90	110	125	154	186	224	280	320
BF	64	72	90	100	126	150	180	230	270
BH	4	4	4	6	6	6	8	8	12
BP	7	9	9	9	12.5	14.5	16.5	18.5	24
T	325	38	46.5	56.5	72	89	110	140	175

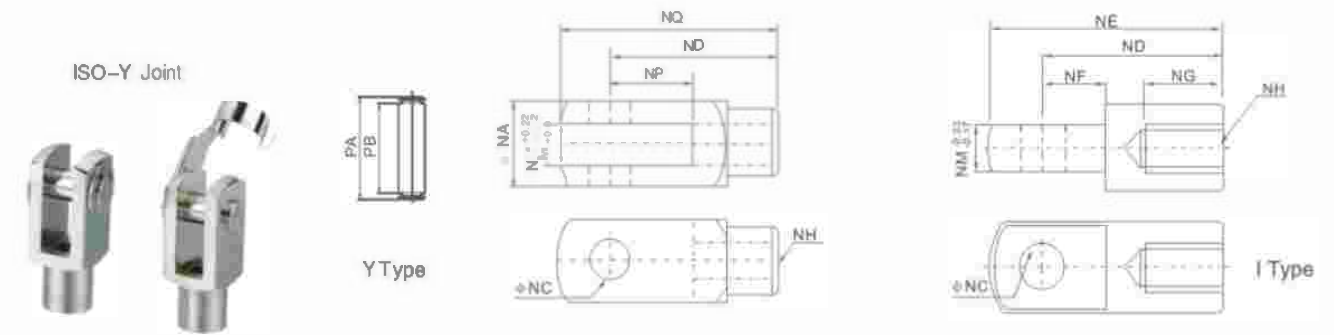


Symbol/Bore	32	40	50	63	80	100
EB	100	113	125	140	160	182
EC	53	63	75	90	105	128
ED	32.5	38	46.5	56.5	72	89
EE	52	63	75	90	110	128
EG	25	25	25	25	25	25
EP	12	16	16	20	20	25
ET	20	22	22	28	28	34
HC	37	45	55	68	87	107.5



Symbol/Bore	32	40	50	63	80	100	125
FA	30	32	34	41	44	48	50
FB	12	16	16	20	20	25	25
FC	12	16	16	20	20	25	25
FD	50	63	75	90	110	132	160
FE	71	87	99	116	136	164	192
FF	86	105	117	136	156	189	217
FG	65	75	95	105	130	145	175

ISO Standard Cylinder Accessories



ISO-Y + Pin ISO-Y + Clip

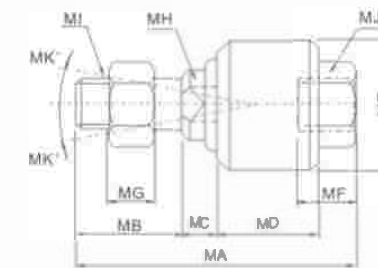
Symbol/Bore	32	40	50	63	80	100	125	160	200
NA	19	25.4	32	32	44.4	44.4	55	70	70
NC	10	12	16	16	20	20	30	35	35
ND	40	48	64	64	80	80	110	144	144
NE	52	67	89	89	112	112	155	201	201
NF	15	24	32	32	40	40	50	50	55
NG	20	20	23	23	30	30	56	72	72
NH	M10x1.25	M12x1.25	M16x1.5	M16x1.5	M20x1.5	M20x1.5	M27x2.0	M36x2.0	M36x2.0
NM	10	12	16	16	20	20	30	35	35
NP	20	24	32	32	40	40	54	72	72
NQ	52	62	83	83	105	105	148	191	191
PA	26.2	32.8	39.3	39.3	53.3	53.3	64	80	80
PB	20	26.5	33	33	45	45	55.6	70.6	70.6



ISO-I Joint



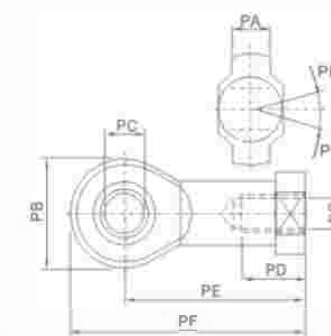
ISO-UJ Type Float Joint



Symbol/Bore	MA	MB	MC	MD	ME	MF	MG	MH	MI	MK
32	58	22	7	21	26	11.5	7	10	M10x1.25	12
40	58	22	8	21	28	11.5	8	12	M12x1.25	12
50	90	27	10	41	44.5	20	10	17	M16x1.5	7
63	90	27	10	41	44.5	20	10	17	M16x1.5	7
80	102	29	13	46	53	24	13	22	M20x1.5	10
100	102	29	13	46	53	24	13	22	M20x1.5	10
125	147	54	13	64	62	38	14	30	M27x2.0	9
160	147	43	23	58	88	35	13.5	36	M36x2.0	15
200	147	43	23	58	88	35	13.5	36	M36x2.0	15



ISO-PHS Type Fish Eye Joint



Symbol/Bore	PA	PB	PC	PD	PE	PF	PG	PH
32	11	26	10	21	43	56	M10x1.25	13
40	12	30	12	24	50	65	M12x1.25	13
50	15	38	16	33	64	83	M16x1.5	15
63	15	38	16	33	64	83	M16x1.5	15
80	18	46	20	40	77	100	M20x1.5	15
100	18	46	20	40	77	100	M20x1.5	15
125	37	70	30	51	110	145	M27x2.0	15
160	43	80	35	56	125	165	M36x2.0	16
200	43	80	35	56	125	165	M36x2.0	16