

## High Pressure Air Source Treatment

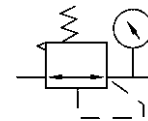


- TYH-8
- TYH-15



- TYH-20
- TYH-25

■ Graphics Sign



I

### ● Ordering Code

TYH

Series  
High pressure  
Regulator

15

- 8 : G1/4
- 10 : G3/8
- 15 : G1/2
- 20 : G3/4
- 25 : G1

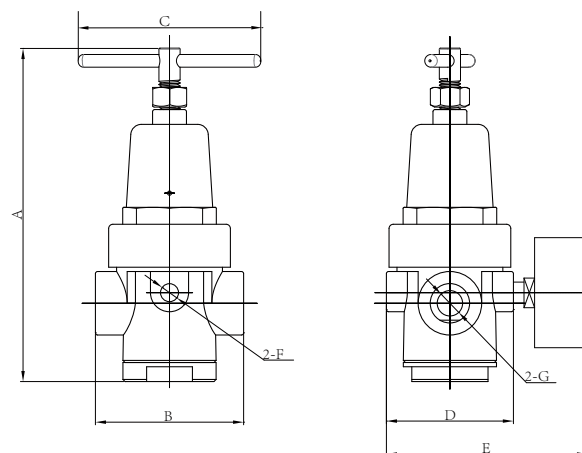
### ■ Specific Property

These high pressure air source treatment are self-developed products, specially designed to be used on high pressure condition, been adopted widely in high pressure pneumatic equipment such as Blow Bottle Machine.

### ■ Technical Parameter

Specification	TYH-8	TYH-15	TYH-20	TYH-25
Applicable Pressure	0.5 ~ 3.6Mpa			
Medium Temperature	-10 ~ 60°C			
Filtration	-			

### ■ Figure Dimension



Type	A	B	C	D	E	F	G
TYH-8, 10, 15	160	70	88	60	95	G1/8	G1/4 G3/8 G1/2
TYH-20, 25	240	95	108	82	120	G1/4	G3/4 G1