

TG series Hand Valve

● **Charatcer** Product design, compact, good looks, with the operating force, easy to use and so on. Pneumatic devices were widely used in control devices.

● **Ordering Code**

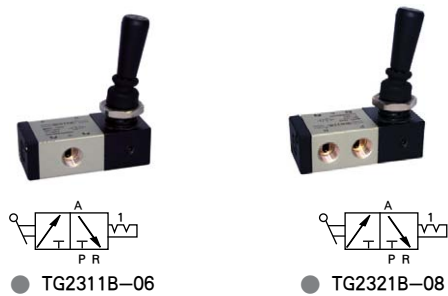
TG	25	2	1B	06	C	M
Series	Function	Connection Code	Control Form	Pipe Size	Working Mode	Working Mode
23 : 2 Positions/3Ports	25 : 2 Positions/5Ports	1 : 1/8	Hand Lever	06 : G1/8	No Mark : 2 Positions	No Mark : Normal Type
35 : 3 Positions/5Ports		2 : 1/4		08 : G1/4	C : 3 Positions Closed Center	M : Multiple location instllation
		3 : 3/8		10 : G3/8	E : 3 Positions Release Center	
		4 : 1/2		15 : G1/2		

■ **Technical Parameter**

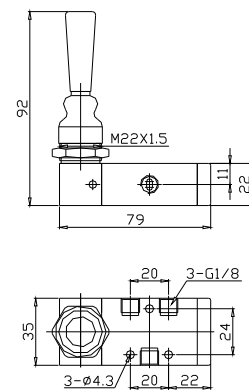
Item	Function	Pipe Size	Nominal Diameter (mm)	Applicable Medium	Applicable Pressure Range	Operating Method	Lubrication	Medium Temperature
TG2311B-06	2 Positions/ 3 Ports	G1/8	6	Air	0 ~ 1.0MPa	Manually Control	Needless	-5 ~ 60°C
TG2321B-08		G1/4	8					
TG2511B-06	2 Positions/ 5 Ports	G1/8	8					
TG2521B-08		G1/4	8					
TG2521B-08M		G1/4	8					
TG2531B-10		G3/8	10					
TG2541B-15		G1/2	15					
TG3521B-08C	3 Positions/ 5 Ports	G1/4	8					
TG3531B-10C		G3/8	10					
TG3541B-15C		G1/2	15					

■ **Figure Dimension**

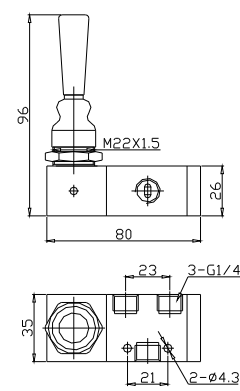
2 Positions/3 Ports Hand Valve



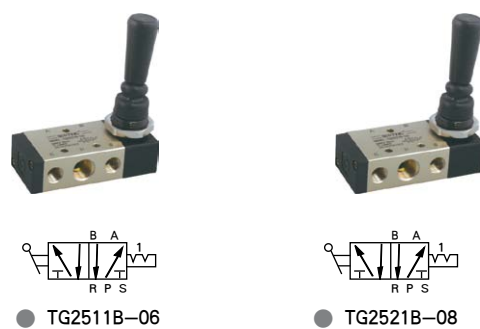
● TG2311B-06



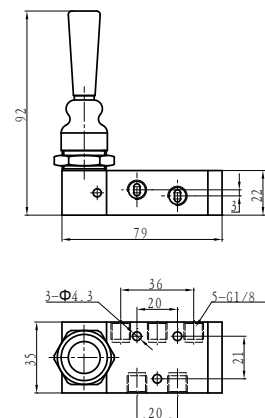
● TG2321B-08



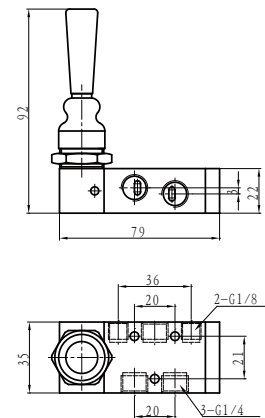
2 Positions/5 Ports Hand Valve



● TG2511B-06



● TG2521B-08

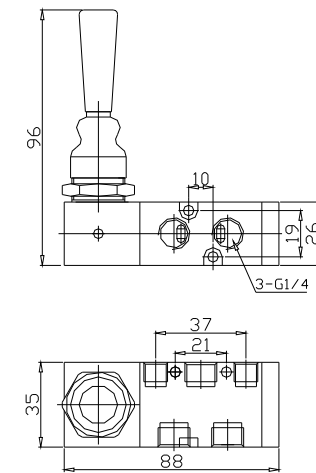


TG series Hand Valve

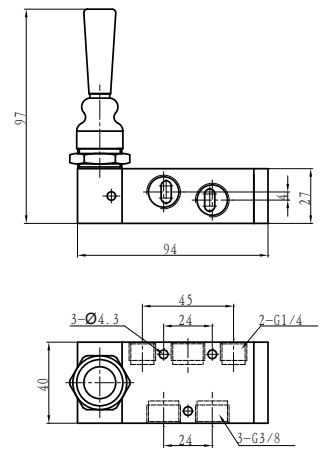
2 Positions/5 Ports Hand Valve



● TG2521B-08M



● TG2531B-10



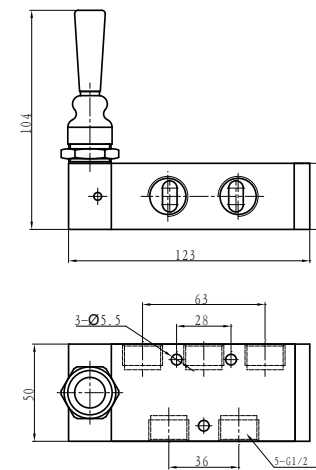
2 Positions/5 Ports Hand Valve



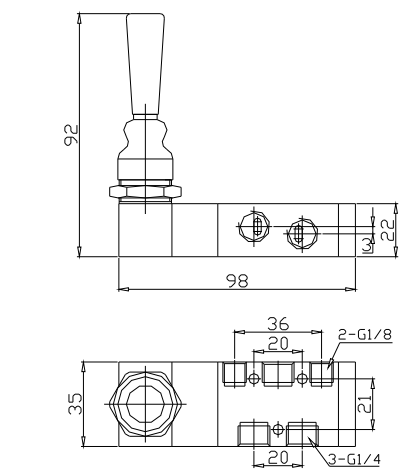
3 Positions/5 Ports Hand Valve



● TG2541B-15



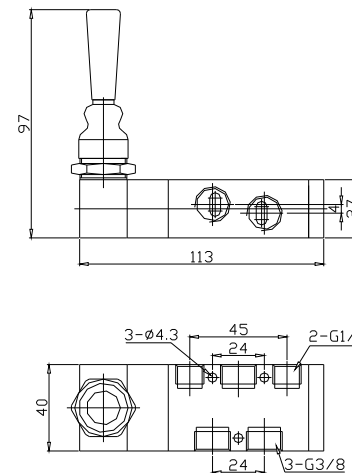
● TG3521B-08C



3 Positions/5 Ports Hand Valve



● TG3531B-10C



● TG3541B-15C

