

TG series hand valve

● **Character** Product design, compact, good looks, with the operating force, easy to use and so on. Pneumatic devices were widely used in control devices.

● **Ordering Code**

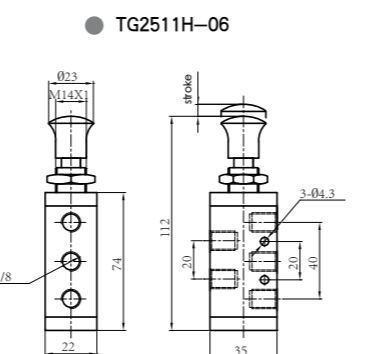
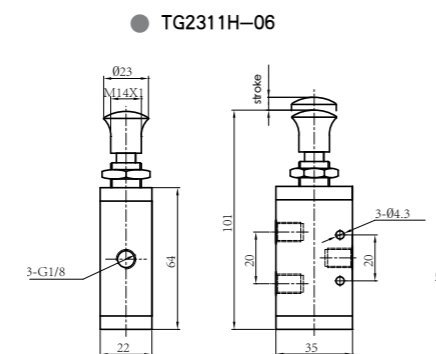
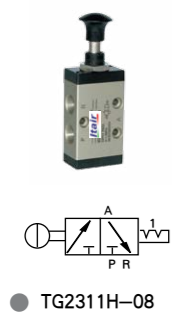
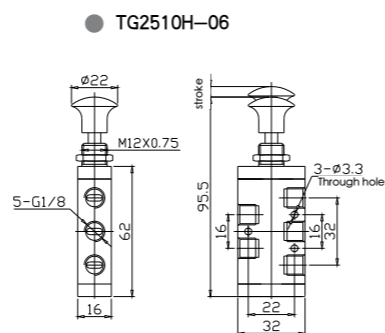
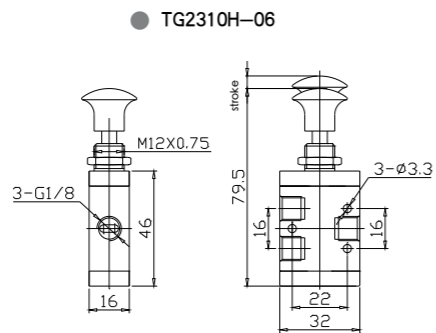
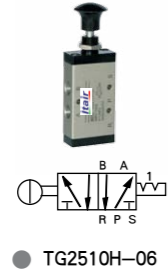
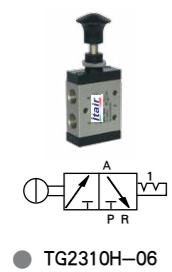
TG	25	2	1H	06
Series	Function	Connection Code	Control Form	Pipe size
	23 : 2 Positions/3Ports 25 : 2 Positions/5Ports	1 : 1/8 2 : 1/4 3 : 3/8 4 : 1/2	Hand Lever	06 : G1/8 08 : G1/4 10 : G3/8 15 : G1/2

Technical Parameter

Item Specification	Function	Pipe Size	Nominal Diameter (mm)	Applicable Medium	Applicable Pressure Range	Operating Method	Lubrication	Medium Temperature
TG2310H-06	2 Positions/ 3 Ports	G1/8	3	Air	0 ~ 1.0MPa	Manually Control	Needless	-5 ~ 60°C
TG2311H-06		G1/8	6					
TG2321H-08		G1/4	8					
TG2331H-10		G3/8	10					
TG2341H-15	G1/2	15						
TG2510H-06	2 Positions/ 5 Ports	G1/8	3					
TG2511H-06		G1/8	6					
TG2521H-08		G1/4	8					
TG2531H-10		G3/8	10					
TG2541H-15		G1/2	15					

2 Positions/3 Ports Hand Valve

2 Positions/5 Ports Hand Valve



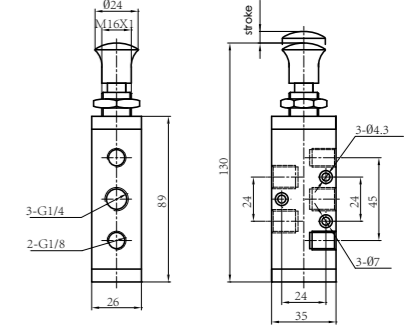
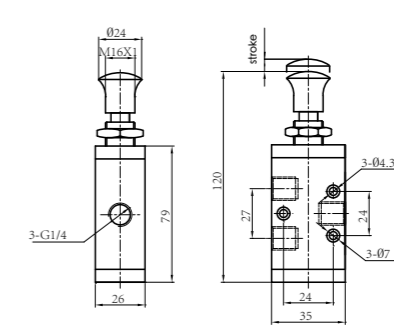
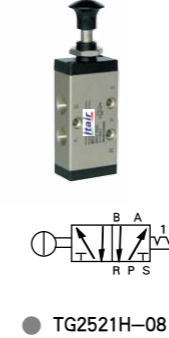
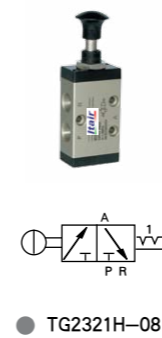
TG series hand valve

2 Positions/3 Ports Hand Valve

2 Positions/5 Ports Hand Valve

● TG2321H-08

● TG2521H-08

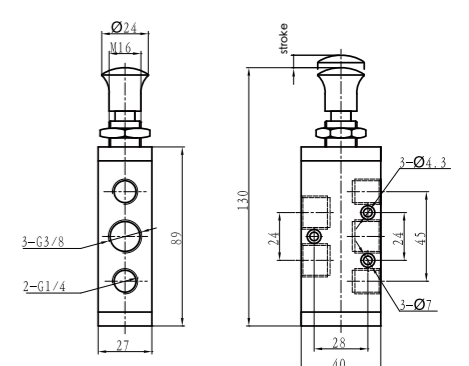
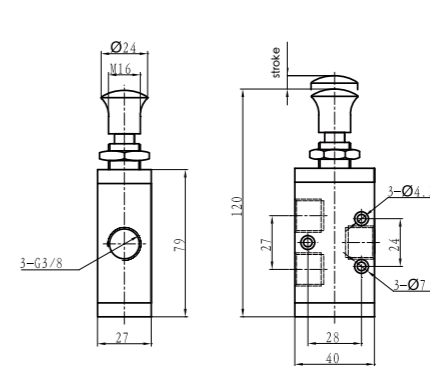


2 Positions/3 Ports Hand Valve

2 Positions/5 Ports Hand Valve

● TG2331H-10

● TG2531H-10



2 Positions/3 Ports Hand Valve

2 Positions/5 Ports Hand Valve

● TG2341H-15

● TG2541H-15

