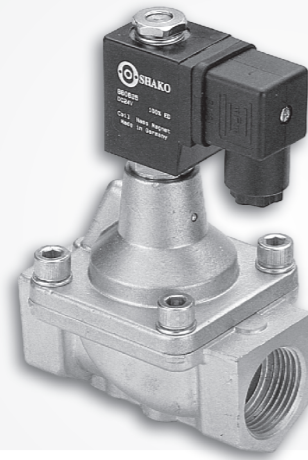


#### Features

- \* Pilot acting for low starting pressure.
- \* Large flow rate.
- \* Quick response.
- \* Specially for steam use.
- \* Flange type is available for JIS 10K, ANSI 150LB and PN16.
- \* Ex-proof coil T4 as optional accessory.
- \* Timer for setting on/off time as optional accessory.



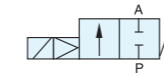
#### How to order

<b>PU225</b>	<b>S</b>	<b>F</b>	<b>-</b>	<b>03</b>	<b>N</b>	<b>-</b>	<b>S</b>	<b>1</b>	<b>LED</b>	<b>E</b>
Brass 2/2 way pilot acting	Series	Flange type	Port size	Thread	Solenoid	Voltage	LED	Ex-proof coil		
	S Steam series	F 10K	03 3/8"	Blank PS		1 110VAC	Blank/W/O LED			
		F3 150LB	04 1/2"	N NPT		2 220VAC				
		F4 PN16	06 3/4"			9 24VDC				
			08 1"							

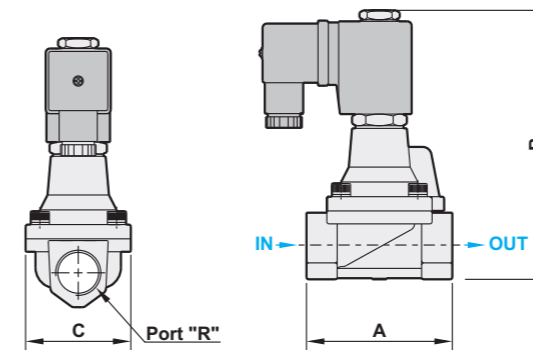
#### Specifications

Model	PU225S-03	PU225S-04	PU225S-06	PU225S-08
Port size	3/8"	1/2"	3/4"	1"
Fluid	Compressed air, Hot water, Steam			
Orifice	13mm		25mm	
CV value	4.5		12	
Sectional area	88mm <sup>2</sup>		230mm <sup>2</sup>	
Acting	Pilot acting			
Construction	Piston			
Operating pressure range	0.5 ~ 10 kgf/cm <sup>2</sup>			
Max. operating pressure	15 kgf/cm <sup>2</sup>			
Body material	Die-cast brass			
Piston ring	SUS 304			
Fluid temperature	-10°C ~ 185°C			
Ambient temperature	-20°C ~ 60°C			
Installation	Horizontal			
Duty cycle	100% ED			
Coil type	DIN			
Protection class	IP65 (DIN 40 050)			
Insulation class	F			
Voltage tolerance	±10%			
Standard voltage	220VAC, 110VAC, 24VDC The other voltage is optional			
Power consumption	AC110V:17.6VA, AC220V:18.1VA, DC: 15W			
Net weight	860g	840g	1800g	1750g

#### Dimensions

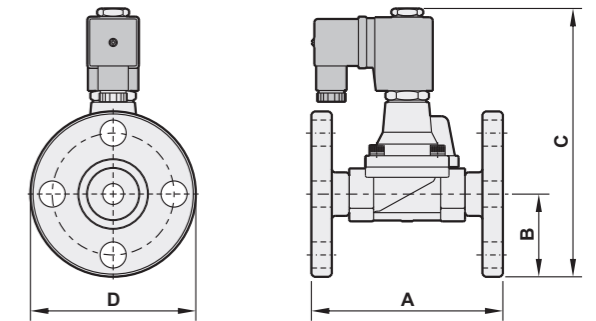


#### PU225S Standard type



Model	PU225S-03	PU225S-04	PU225S-06	PU225S-08
R	3/8"	1/2"	3/4"	1"
A	66.5	66.5	100.0	100.0
B	106.5	106.5	126.5	126.5
C	48.0	48.0	70.0	70.0

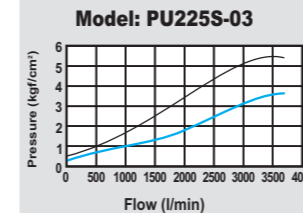
#### PU225S Flange type (10K)



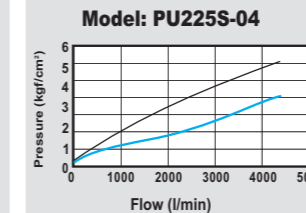
Model	PU225SF-03	PU225SF-04	PU225SF-06	PU225SF-08
R	3/8"	1/2"	3/4"	1"
A	110.0	110.0	148.0	150.6
B	45.0	47.5	50.0	62.5
C	151.7	154.2	183.0	191.0
D	90.0	95.0	100.0	125.0

#### Flow chart

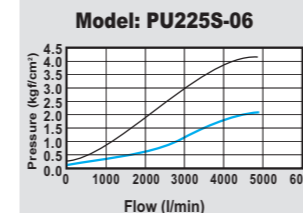
##### 3/8" Pilot acting



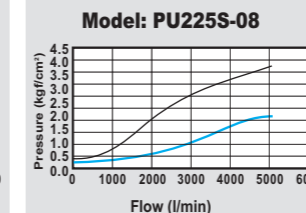
##### 1/2" Pilot acting



##### 3/4" Pilot acting



##### 1" Pilot acting



#### Explosion

