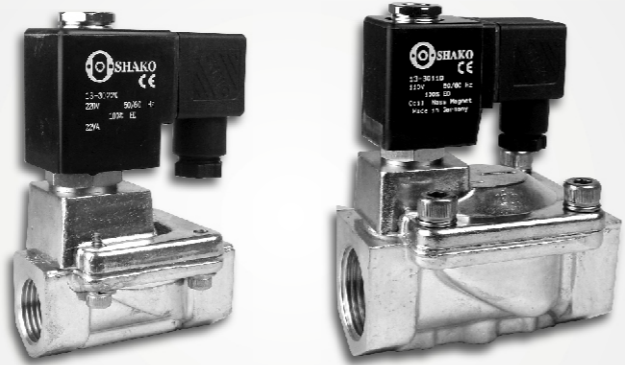


### Features

- \* Pilot acting for low starting pressure.
- \* Large flow rate and high working pressure.
- \* Quick response.
- \* Stainless steel stem provides exceptional durability.
- \* Flange type is available for JIS 10K, ANSI 150LB and PN16.
- \* Ex-proof coil T4 as optional accessory.
- \* Timer for setting on/off time as optional accessory.
- \* Coil nut is available, please refer to page 7-6.



### How to order

<b>PU225</b>	<b>A</b>	<b>N</b>	<b>V</b>	<b>F - 03</b>	<b>N - S</b>	<b>1</b>	<b>LED</b>	<b>E</b>		
Brass 2/2 way pilot acting	Series	Acting style	Diaphragm	Flange type	Port size	Thread	Solenoid	Voltage	LED	Ex-proof coil
A	Standard	Blank Normally closed N Normally open	Blank NBR V VITON E EPDM	F 10K F3 150LB F4 PN16	03 3/8" 04 1/2" 06 3/4" 08 1" 12 1-1/4" 14 1-1/2" 20 2"	Blank G N NPT	1 110VAC 2 220VAC 9 24VDC	Blank/W/O LED		

\*Customized valve for water-hammer proof is available, please contact our sales for more details.

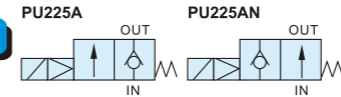
### Specifications

Model	PU225A-03	PU225A-04	PU225A-06	PU225A-08	PU225A-12	PU225A-14	PU225A-20
Port size	3/8"	1/2"	3/4"	1"	1-1/4"	1-1/2"	2"
Fluid	Compressed air (light oil, water)						
A series orifice	13mm		25mm		38mm		50mm
Sectional area	88mm <sup>2</sup>		230mm <sup>2</sup>		404mm <sup>2</sup>		883mm <sup>2</sup>
Acting	Pilot acting						
Construction	Diaphragm						
Operating pressure range	0.5~10kgf/cm <sup>2</sup> (0.5 ~ 10.0Bar)						
Proof pressure	15 kgf/cm <sup>2</sup> (15.0Bar)						
Body / Flange material	Die-cast Brass / SS41						
Fluid temperature	-10°C ~ 90°C						
Ambient temperature	-10°C ~ 60°C						
Installation	Horizontal						
Duty cycle	100% ED						
Coil type	DIN						
Protection class	IP65 (DIN 40 050)						
Insulation	F						
Voltage tolerance	± 10%						
Standard voltage	220VAC, 110VAC, 24VDC The other voltage is optional						
Power consumption	Normally closed AC110V : 17.6VA, AC220V : 18.1VA, DC : 15W ; Normally open AC : 17.8VA, DC : 15W						
Net weight	775g		1550g		2820g		4665g

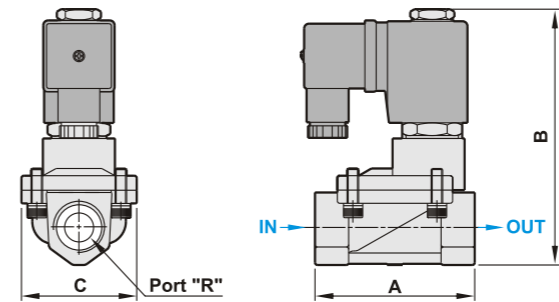
### Seal material selection guide

Seal	Temperature range	Suitable fluid	Unsuitable fluid
NBR	-15°C ~ 80°C	Air, Water, Neutral gases, Mineral oil	Fuel oil, Gasoline and Hi-test gasoline, Diesel fuel
VITON	-10°C ~ 180°C	Fuel oil, Gasoline and Hi-test gasoline, Diesel fuel	Hot water, Steam, Brake oil (ATE Blue)
EPDM	-5°C ~ 130°C	Hot water, Detergent liquid	Mineral oil, Gasoline

### Dimensions

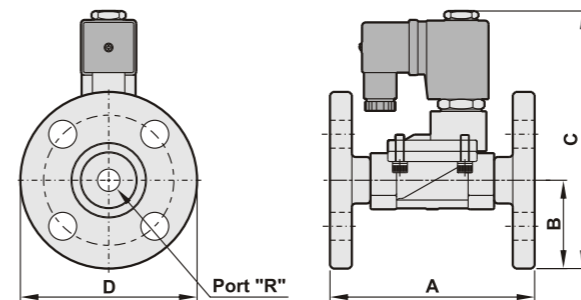


### PU225A Standard type



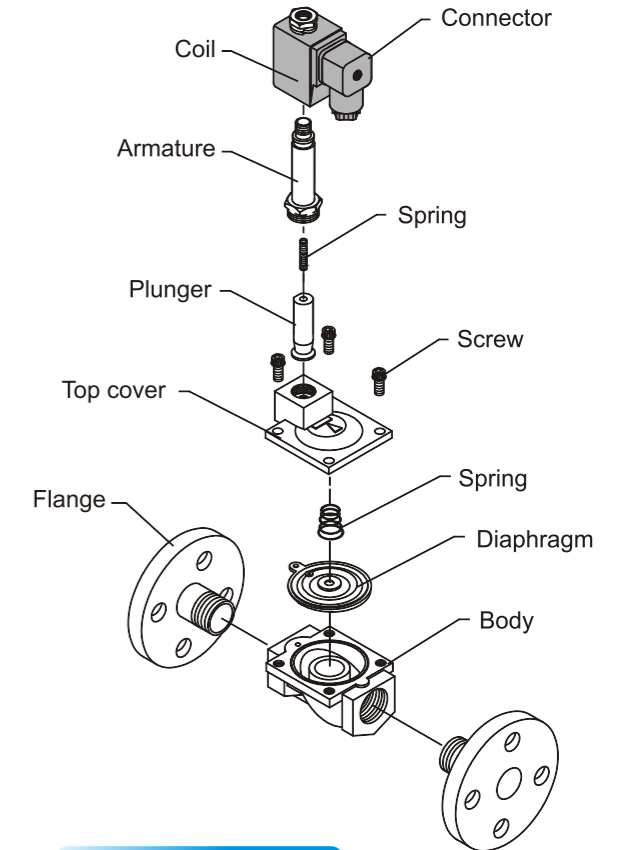
Model	PU225A-03	PU225A-04	PU225A-06	PU225A-08	PU225A-12	PU225A-14	PU225A-20
R	3/8"	1/2"	3/4"	1"	1 1/4"	1 1/2"	2"
A	66.5	66.5	96.0	96.0	131.0	131.0	160.0
B	106.5	106.5	126.5	126.5	145.5	145.5	160.5
C	48.0	48.0	70.0	70.0	96.0	96.0	112.0

### PU225A Flange type (10K)



Model	PU225AF-03	PU225AF-04	PU225AF-06	PU225AF-08	PU225AF-12	PU225AF-14	PU225AF-20
R	3/8"	1/2"	3/4"	1"	1 1/4"	1 1/2"	2"
A	110.0	110.0	149.0	150.0	180.0	180.0	210.0
B	45.0	47.5	50.0	62.5	67.5	70.0	77.5
C	137.0	139.5	152.5	164.0	173.0	182.5	210.0
D	90.0	95.0	100.0	125.0	135.0	140.0	155.0

### Explosion



### Flow chart

