



**MA6432 Series Stainless Steel Mini Cylinder(ISO6432)**



**Ordering Code**

**MA6432** [ ] **20** × **50** — **25** **S** — [ ]

**Series Code**  
 MA:Double Action Type  
 MSA:Single-Extrusion Type  
 MTA:Single Drawing-in Type  
 MAD:Double-shaft Double Action Type  
 MACD:Double-shaft Double Action Damping Type  
 MAJ:Double-shaft and adjustable stroke type  
 MAC:With Cushion Type

**Back Cover Type**  
 Blank:Fishtail Type  
 CM:Rounded Type  
 U:Horizontal Type

**Cylinder Bore**  
 8mm-25mm

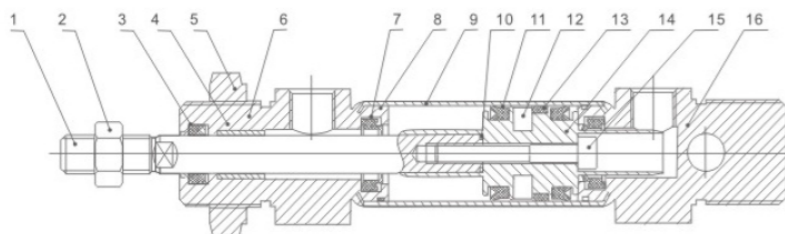
**Stroke**

**Adjustable Stroke Type**  
 0~100mm

**Magnet Code**  
 Blank:Without Magnet  
 S:With Magnet

**Fixed Type**  
 Blank:Normal type  
 LB:Front and back fixed type  
 FA:Front cover fixed type  
 SDB:Back cover swinging type  
 U:Back cover fixed type

**Internal structure**



NO	Designation	NO	Designation
1	Piston Rod	9	Barrel
2	Piston Rod Nut	10	Piston rod O-ring
3	Front Cover Seal	11	Piston O-ring
4	Bearing	12	Magnet(Optional)
5	Hexagon Screw	13	Wear Ring
6	Front Cover	14	Piston
7	Cushion Ring	15	Hex Socket Screw
8	O-ring	16	Back Cover

**Specification**

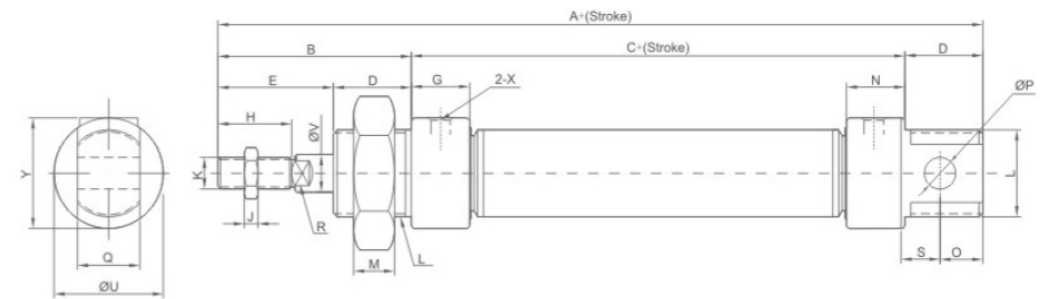
Cylinder diameter	8	10	12	16	20	25
Fluid	Air					
Motion pattern	Double Action or single Action					
Ensured Pressure Resistance	15.3kgf/cm <sup>2</sup> (1.5Mpa)					
Max.pressure	10.2kgf/cm <sup>2</sup> (1.0Mpa)					
Min.pressure	0.5kgf/cm <sup>2</sup> (0.05Mpa) 1kgf/cm <sup>2</sup> (0.1Mpa)					
Environment and fluid temp	-10~+80℃ (Internal Magnetic Install by Tach strap:Type Max:60℃)					
Piston velocity	Rubber Buffer(Standard),Air Buffer(Option)					
Buffering	50~750mm/s					
Kinetic energy Tolerance(kgf/cm)	0.2	0.3	0.4	0.9	2.7	4
Port Size	M5×0.8				G1/8"	

**Stroke**

Bore(mm)	Standard stroke	Max.Stroke(mm)
8	10,25,40,50,80,100,125,160,200	400
10	10,25,40,50,80,100,125,160,200	400
12	10,25,40,50,80,100,125,160,200	400
16	10,25,40,50,80,100,125,160,200	400
20	25,40,50,80,100,125,150,160,175,200,250,300	1000
25	25,40,50,80,100,125,150,160,175,200,250,300	1000

**MA6432 Series Stainless Steel Mini Cylinder(ISO 6432)**

**Overall Dimensions**



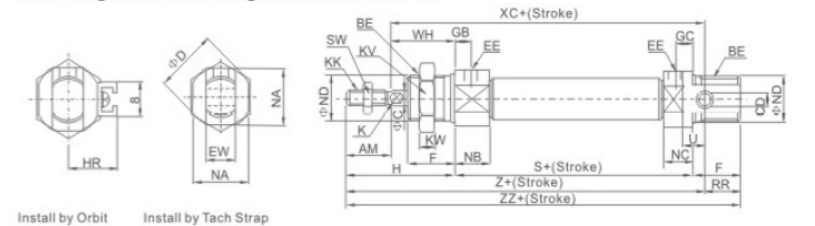
**Dimension Sheet**

Bore/Symbol	A	B	C	D	E	G	H	M	J	O	K	N	P	S	R	U	V	Q	Y	L	X
8	86	28	46	12	16	9	12	7	3	10	M4×0.7	9	4	6	-	15	4	8	15	M12×1.25	M5
10	86	27	47	12	15	9	12	7	3	10	M4×0.7	9	4	6	-	15	4	8	15	M12×1.25	M5
12	105	37	51	17	20	9	16	6	4.5	14	M6×1	9	6	9	5	20	6	12	20	M16×1.5	M5
16	111	38	56	17	21	12.5	16	6	4.5	13	M6×1	10.5	6	9	5	20	6	12	20	M16×1.5	M5
20	128	45	63	20	25	15	20	8	6	11	M8×1.25	15	8	12	6	27	8	16	27	M22×1.5	G1/8"
25	137	50	65	22	28	15	22	8	6	11	M10×1.25	15	8	12	8	27	10	16	27	M22×1.5	G1/8"

**MA6432-N Series Stainless Steel Mini Cylinder (ISO 6432)**

**Overall Dimensions**

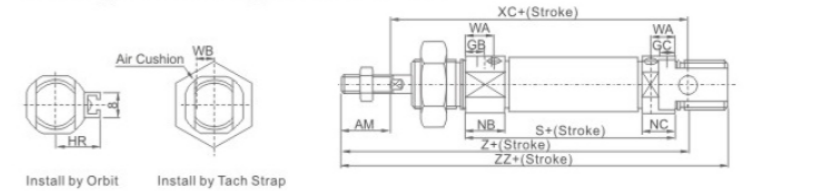
**Non Magnet Inside Magnet Rubber Buffer**



**Dimension Sheet**

Bore	AM	BE	ΦC	ΦCD	ΦD	EE	EW	F
φ 8	12	M12×1.25	4	4	17	M5×0.8	8	12
φ 10	12	M16×1.25	4	4	17	M5×0.8	8	12
φ 12	16	M16×1.5	6	6	20	M5×0.8	12	17
φ 16	16	M16×1.5	6	6	20	M5×0.8	12	17
φ 20	20	M22×1.5	8	8	28	G1/8"	16	20
φ 25	22	M22×1.5	10	8	33.5	G1/8"	16	22

**Non Magnet Inside Magnet Rubber Buffer**



Bore	GB	GC	WA	WB	H	HR	K	KK	KV	KW	NB	NC	NA	ΦND	RR	S	SW	U	WH	XC	Z	ZZ
φ 8	7	5	-	-	28	10	-	M4×0.7	19	6	11.5	9.5	15	12	10	46	7	6	16	64	76	86
φ 10	7(5.5)	7(5.5)	10.5	4.5	28	10.5	-	M4×0.7	19	6	11.5(13.5)	9.5(13.5)	15	12	10	46(53)	7	6	16	64(71)	76(83)	86(93)
φ 12	8(5.5)	6(5.5)	9.5	5.5	38	14	5	M6×4	24	8	12.5(12.5)	10.5(12.5)	18	16	14	50(54)	10	9	22	75(79)	91(95)	105(109)
φ 16	8(5.5)	6(5.5)	9.5	5.5	38	14	5	M6×0.8	24	8	12.5	10.5(12.5)	18	16	13	56	10	9	22	82	98	111
φ 20	8	8	17	8.5	44	17	6	M8×1.25	32	11	15	15	24	22	11	62	13	12	24	95	95	126
φ 25	8	8	20	10	50	20	8	M10×1.25	32	11	15	15	30	22	11	65	17	12	28	104	126	137

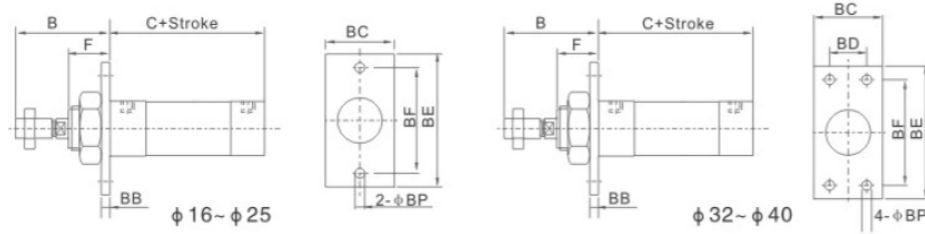
Our company can also provide SMC Type ISO6432 standard stainless steel mini cylinder, if you need this, pls add -N after normal ordering code.



**Mini Cylinder Accessories**



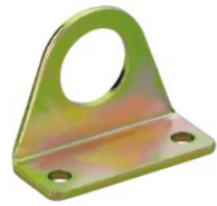
M-FA Type Flange



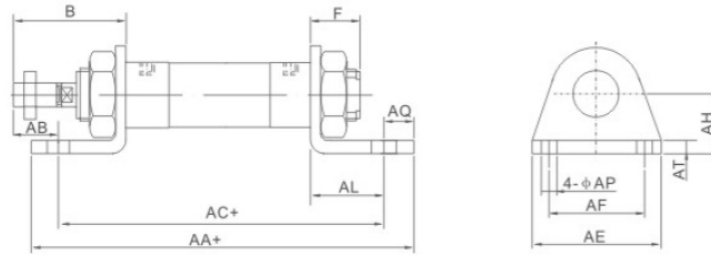
M-FA-A Type

Bore	B	C		C(MSA Series)		C(MSAL Series)		BB	BC	BD	BE	BF	BP	F
		MA Series	MAL Series	0-50	51-100	0-50	51-100							
16	38	60	-	60	85	-	-	3	26	-	52	40	5.5	16
20	40	76	70	76	101	70	95	4	33	-	64	50	6.5	12
25	44	76	70	76	101	70	95	4	33	-	64	50	6.5	14
32	44	76	70	76	101	70	95	4	47	33	72	58	6.5	14
40	46	76	92	76	101	92	117	4	50	36	84	70	6.5	14

Our company can also provide this used for mini cylinder flange from 16~25, if you need, pls add A after all ordering code, like M-FA-20-A



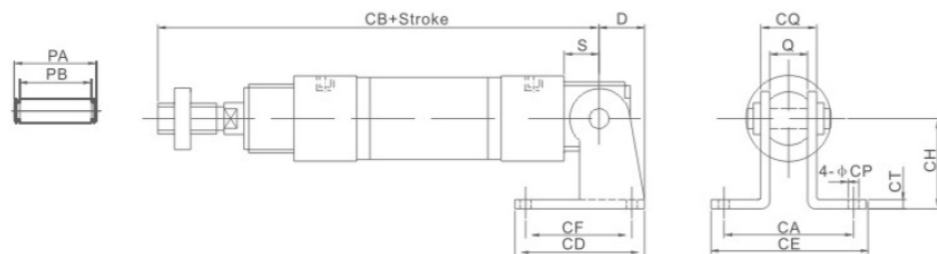
M-LB Type Foot Bracket



Symbol	Bore	B	F	AA (MA Series)	AA (MAL Series)	AA(MSA Series)		AB	AC (MA Series)	AC (MAL Series)	AC(MSA Series)		AC(MSAL Series)		AE	AF	AL	AQ	AP	AT	AH		
						0-50	51-100				0-50	51-100	0-50	51-100								0-50	51-100
	16	38	16	98	-	98	123	-	25	86	-	86	111	-	44	32	13	6	5.5	3	20		
	20	40	12	122	116	122	147	116	141	25	106	100	106	131	100	125	54	40	15	8	6.5	3	25
	25	44	14	122	116	122	147	116	141	29	106	100	106	131	100	125	54	40	15	8	6.5	3	25
	32	44	14	142	136	142	167	136	161	19	126	120	126	151	120	145	59	45	25	8	6.5	4	32
	40	46	14	142	158	142	167	158	183	21	126	142	126	151	142	167	64	50	25	8	6.5	4.5	36



M-SDB Type Bracket



Symbol	Bore	D	S	Q	CA	CB (MA Series)		CB (MAL Series)		CB (MSA Series)		CB (MSAL Series)		CD	CE	CF	CH	CT	CP	CQ	PA	PB
						0-50	51-100	0-50	51-100	0-50	51-100	0-50	51-100									
	16	16	9	12	-	107	-	107	132	-	-	23	-	12	20	3	5.5	16.5	21	17		
	20	21	12	16	51	128	122	128	153	122	147	48	67	32	32	3	6.5	22	27	22.5		
	25	21	12	16	51	132	126	132	157	126	151	48	67	32	32	3	6.5	22	27	22.5		
	32	27	15	16	51	135	129	135	160	129	154	52	67	36	36	3	6.5	24	30	24.5		
	40	27	15	20	55	137	153	137	162	153	178	56	71	40	40	3	6.5	28	34	28.5		

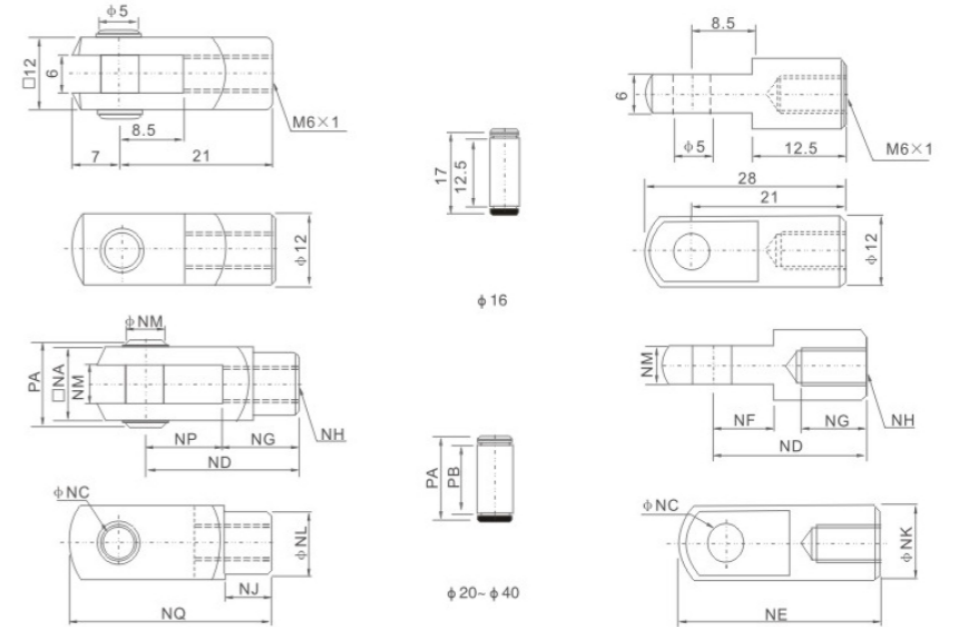
**Mini Cylinder Accessories**



M-Y+Pin M-Y+Clip



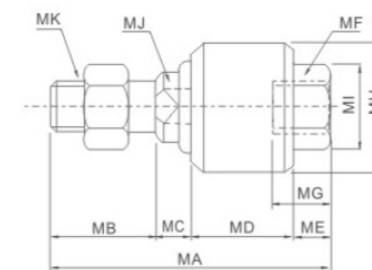
M-I Joint



Symbol/Bore	NA	NC	ND	NE	NF	NG	NH	NJ	NK	NL	NM	NN	NP	NQ	PA	PB
20	16	8	30	40	11	15	M8×1.25	10	16	14	8	8	15	40	21	16.5
25	19	10	40	52	15	20	M10×1.25	12	20	18	10	10	20	52	25	19.5
32	19	10	40	52	15	20	M10×1.25	12	20	18	10	10	20	52	25	19.5
40	25.4	10	45	57	15	25	M12×1.25	15	24	23	14	10	20	57	31	26



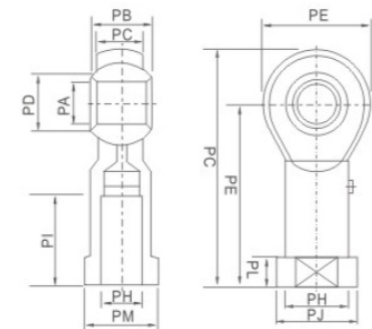
M-UJ Type Float Joint



Symbol/Bore	MA	MB	MC	MD	ME	MF	MG	MH	MI	MJ	MK
20	51	20	6	17	8	M8×1.25	12	24	13	8	M8×1.25
25	58	22	7	21	8	M10×1.25	12	26	17	10	M10×1.25
32	58	22	7	21	8	M10×1.25	12	26	17	10	M10×1.25
40	58	22	8	21	7	M12×1.25	12	28	19	12	M12×1.25



M-PHS Type Fish Eye Joint



Symbol/Bore	PA	PB	PC	PD	PE	PF	PG	PH	PI	PJ	PK	PL	PM
20	8	12	9	10.4	22	36	47	M8×1.25	17	16	12.5	5	14
25	10	14	11	12.9	26	43	56	M10×1.25	21	19	15	6.5	17
32	10	14	11	12.9	26	43	56	M10×1.25	21	19	15	6.5	17
40	12	16	12	15.4	30	50	65	M12×1.25	24	22	17.5	6.5	19