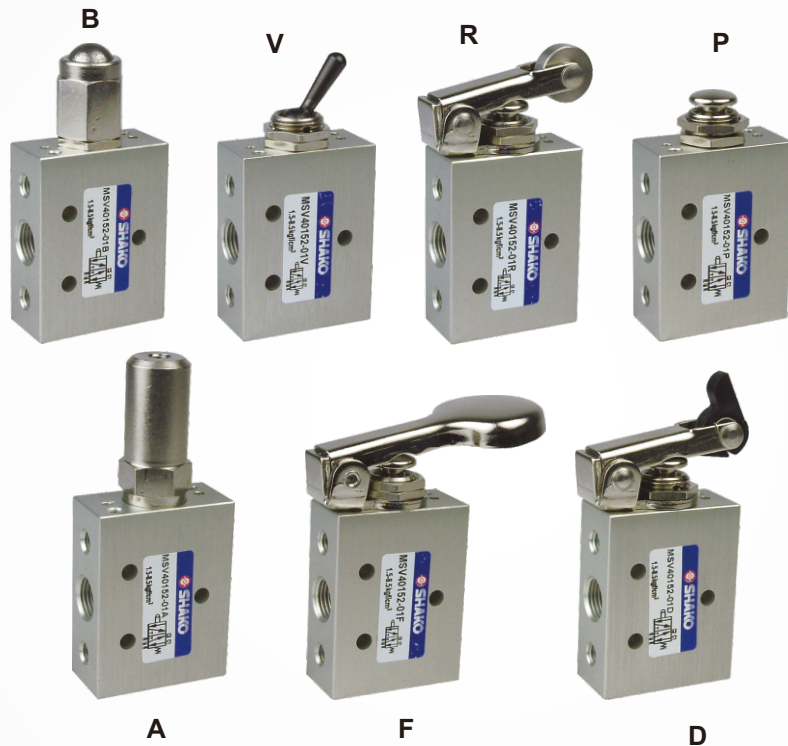


Features

- * 7 kinds of installation.
- * Panel bore size $\phi 12$.

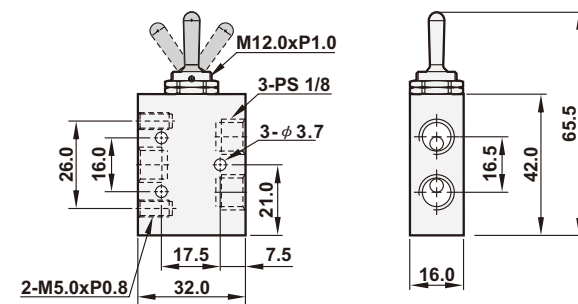
401P patent number in China :
ZL200530157288.5

401V patent number in China :
ZL200530157287.0

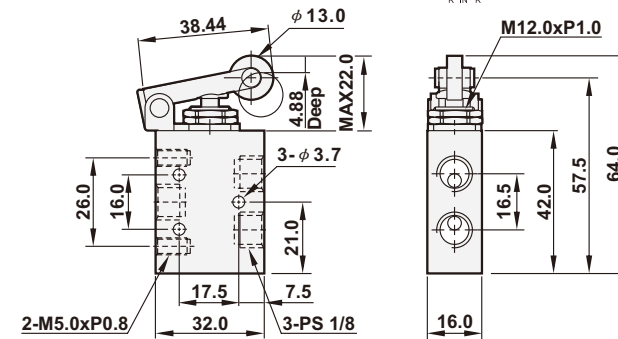


Dimensions

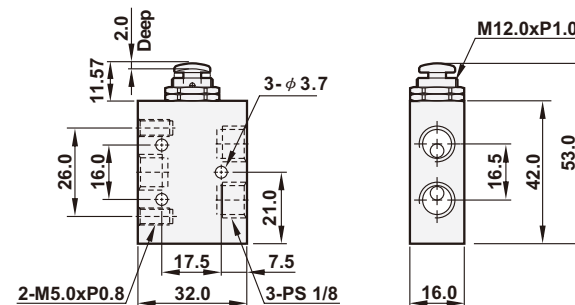
MSV40152-01V



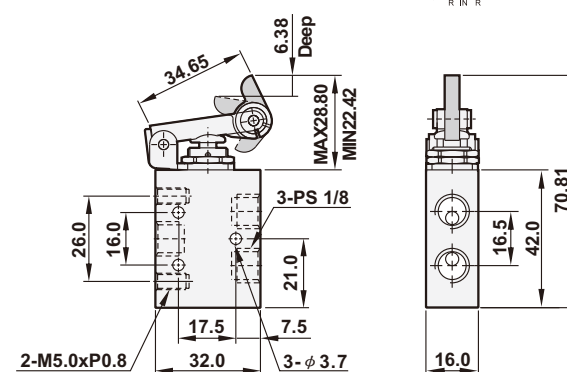
MSV40152-01R



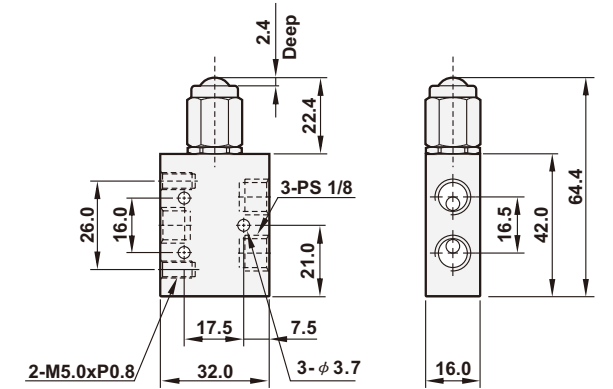
MSV40152-01P



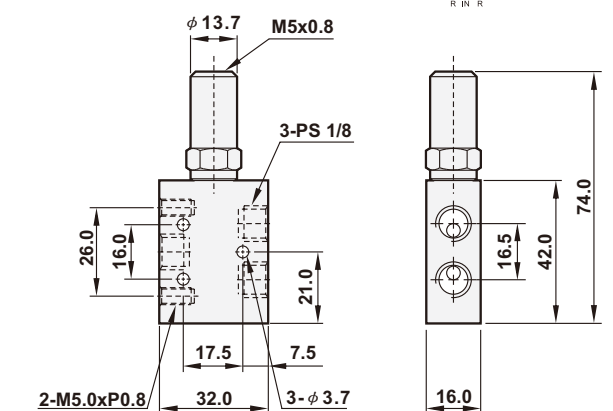
MSV40152-01D



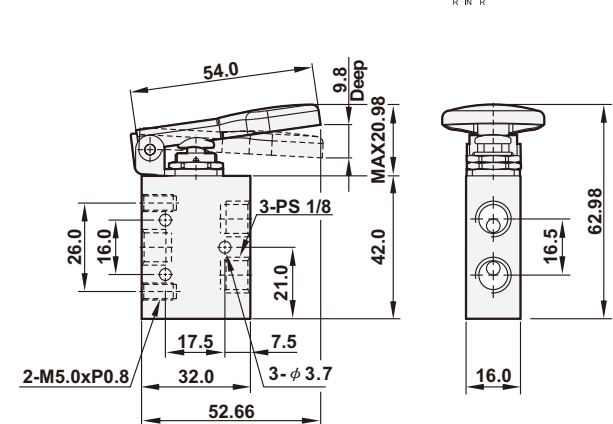
MSV40152-01B



MSV40152-01A



MSV40152-01F



How to order

MSV40152

Mechanical valves

5/2 way

01

Port size

01 1/8"

N

Thread

| | |
|-------|-----|
| Blank | G |
| N | NPT |
| R | Rc |

V

Operator

| | |
|---|----------------|
| V | Toggle lever |
| R | Roller |
| P | Push button |
| D | One way roller |
| B | Ball plunger |
| A | Air pilot |
| F | Finger button |

Specifications

| Model | MSV40152-01 |
|--------------------------|--|
| Port size | 1/8" |
| Body material | Aluminum alloy |
| Panel dimension | 12mm |
| Fluid | Compressed air |
| Sectional area | 6.3mm ² |
| Operating pressure range | 0 ~ 9 kgf/cm ² |
| Air pilot operation | Starting pressure: 3.5 ~ 7.0 kgf/cm ² |
| Proof pressure | 10 kgf/cm ² |
| Ambient temperature | -10°C ~ 60°C |