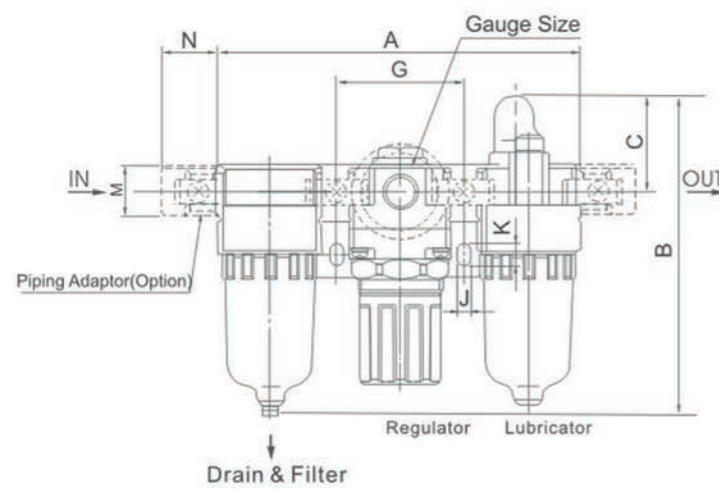
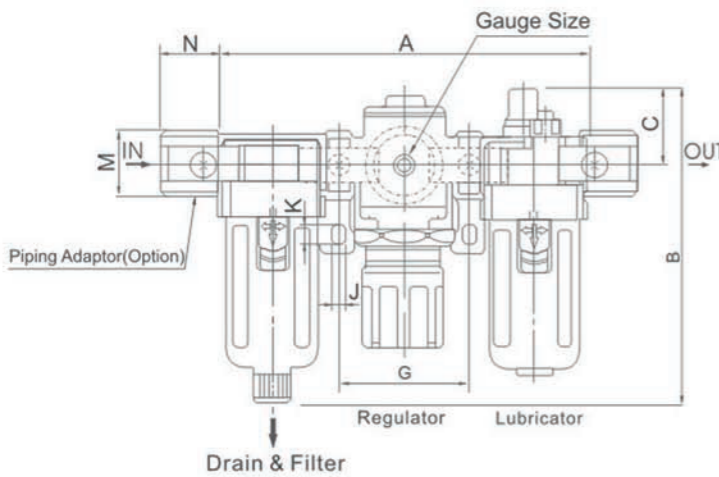
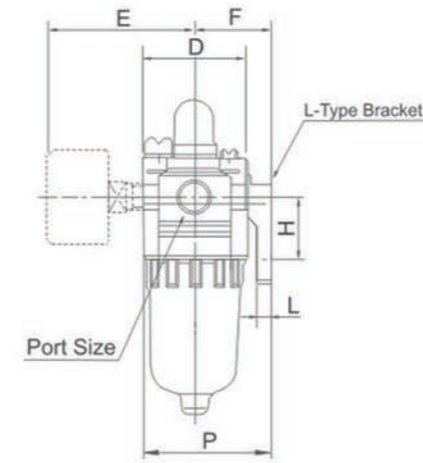


**XAC1000~5000 Series Air Source Treatment Unit(F.R.L Combination)**

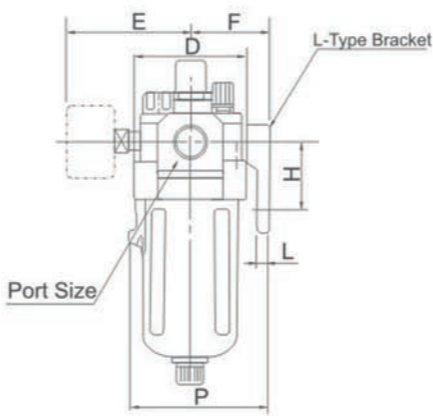
Overall Dimensions



XAC1000~2000



XAC3000~5000



Dimension Sheet

Model	Port Size(G)	A	B	C	D	E	F	G	H	J	K	L	M	N	P
XAC1000	M5	91	84.5	25.5	25	26	25	33	20	4.5	7.5	5	17.5	16	38.5
XAC2000	G1/8"~G1/4"	140	125	38	40	56.8	30	50	24	5.5	8.5	5	22	23	50
XAC3000	G1/4"~G3/8"	181	156.5	38	53	60.8	41	64	35	7	11	7	34.2	26	70.5
XAC4000	G3/8"~1/2"	238	191.5	41	70	65.5	50	84	40	9	13	7	42.2	33	88
XAC4000-06	G3/4"	253	193	40.5	70	69.5	50	89	40	9	13	7	46.2	36	88
XAC5000	G3/4"~G1"	300	271.5	48	90	75.5	70	105	50	12	16	10.5	55.5	40	115

**XAC1010~5010 Series Air Source Treatment Unit(FR.L Combination)**



Graphic Symbol

Ordering Code

<b>XA</b>	<b>C</b>	<b>4010</b>	—	<b>04</b>	<input type="checkbox"/>	<input type="checkbox"/>
<b>Series</b> XA series	<b>Function code</b> F.R.L Combination	<b>Body Size</b> 1010 2010 3010 4010 5010		<b>Port Size</b> M5:M5×0.8 01:G1/8" 02:G1/4" 03:G3/8" 04:G1/2" 06:G3/4" 10:G1"	<b>Drain Type</b> Blank:Manual Drain Type D:Auto Drain Type (Available for 2000 or above)	<b>Metal Cup</b> U: With Iron Cup L: With Aluminum Cup (Available for 2000)

Specification

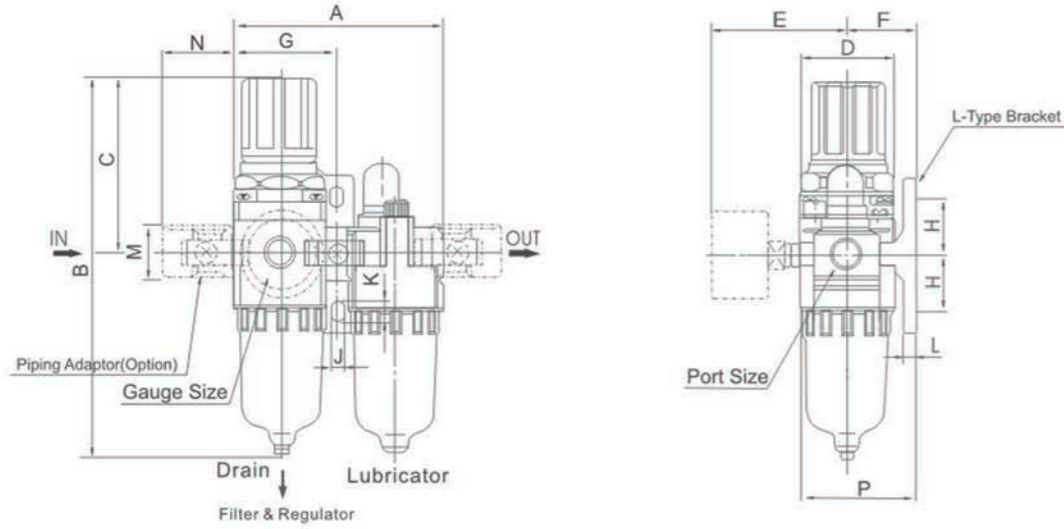
Model	XAC1010-M5	XAC2010-01	XAC2010-02	XAC3010-02	XAC3010-03	XAC4010-03	XAC4010-04	XAC4010-06	XAC5010-06	XAC5010-10	
Rated Flow(L/min)	90	500	500	1700	1700	3000	3000	3000	4000	4000	
Port Size	M5	G1/8"	G1/4"	G1/4"	G3/8"	G3/8"	G1/2"	G3/4"	G3/4"	G1"	
Filter Precision	25 μ										
Highest Working Pressure	1.0MPa										
Ensured pressure Resistance	1.5MPa										
Operating Temperature Range	5~60℃										
Range of Adjustable Pressure	0.05~0.7MPa										
Recommended Oil Use	ISO VG 32										
Container Material	Polycarbonate										
Protective Cover	Not Available					Available					
Drain Function	Differential Drain					Differential Drain, Automatic Drain					
Valve Type	With Over flow										
Composing Elements	Filter&Regulator	XAW1000-M5	XAW2000-01	XAW2000-02	XAW3000-02	XAW3000-03	XAW4000-03	XAW4000-04	XAW4000-06	XAW5000-06	XAW5000-10
	Lubricator	XAL1000-M5	XAL2000-01	XAL2000-02	XAL3000-02	XAL3000-03	XAL4000-03	XAL4000-04	XAL4000-06	XAL5000-06	XAL5000-10

Note: We have upgraded Oil Drop Accessories on Lubricator of XA series 2000-5000 same to the XO series.

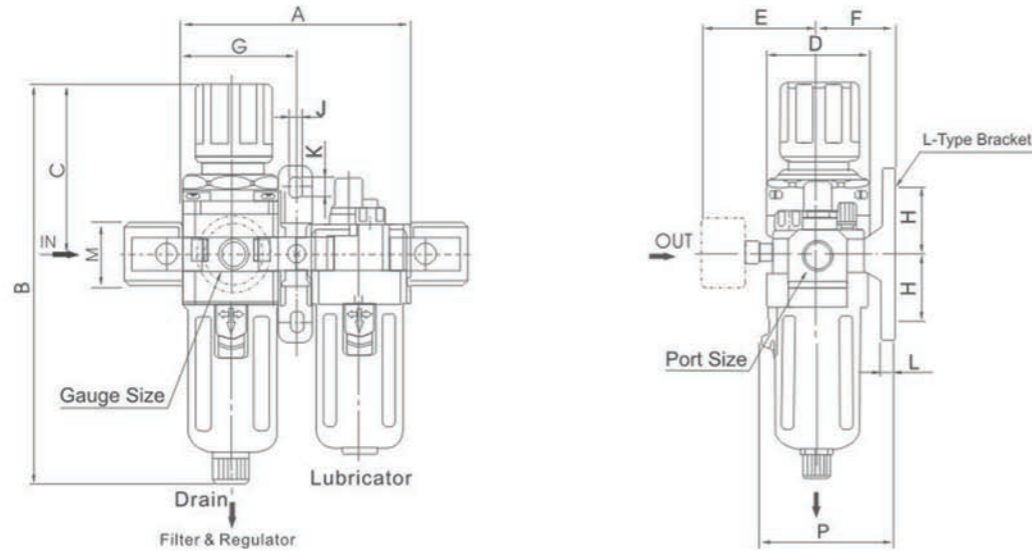


**XAC1010~5010 Series Air Source Treatment Unit(FR.L Combination)**

Overall Dimensions



XAC1010~2010



XAC3010~5010

Dimension Sheet

Model	Port Size (G)	A	B	C	D	E	F	G	H	J	K	L	M	N	P
XAC1010	M5	58	109.5	50.5	25	26	25	29	20	4.5	7.5	5	17.5	16	38.5
XAC2010	G1/8" ~G1/4"	90	164.5	78	40	56.8	30	45	24	5.5	8.5	5	22	23	50
XAC3010	G1/4" ~G3/8"	117	211	92.5	53	60.8	41	58.5	35	7	11	7	34.2	26	70.5
XAC4010	G3/8" ~1/2"	154	262	112	70	70.5	50	77	40	9	13	7	42.2	33	88
XAC4010-06	G3/4"	164	267	114	70	70.5	50	82	40	9	13	7	46.2	36	88
XAC5010	G3/4" ~G1"	195	338	116	90	75.5	69.8	97.5	50	12	16	10.5	55.5	40	115

**XAF1000~5000 Series Air Filter**

Ordering Code

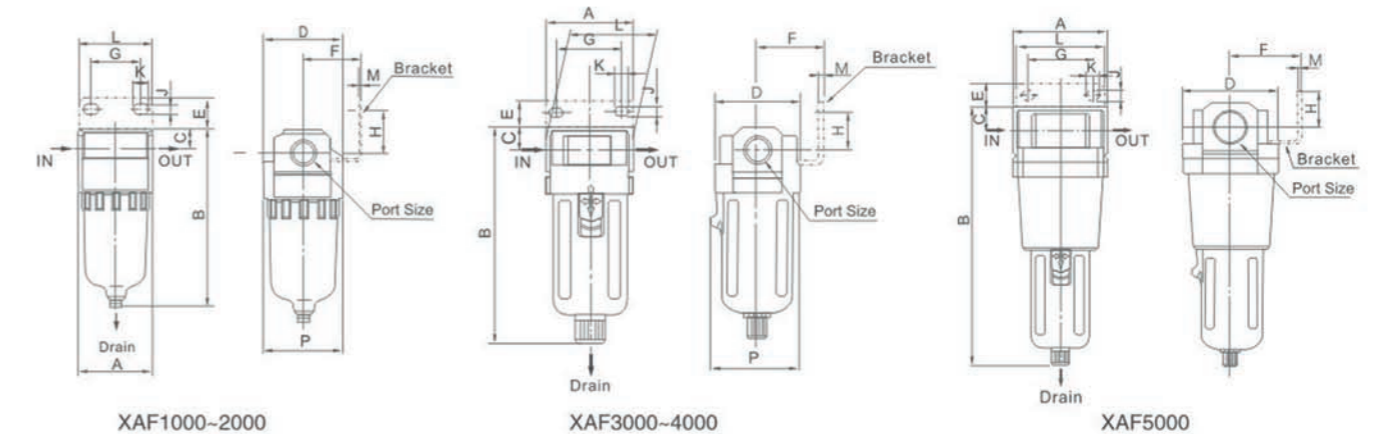
Series	Function code	Body Size	Port Size	Drain Type	Metal Cup
XA series	Filter	1000 2000 3000 4000 5000	M5:M5×0.8 01:G1/8" 02:G1/4" 03:G3/8" 04:G1/2" 06:G3/4" 10:G1"	Blank:Manual D:Auto Drain Type (Available for 2000 or above)	U: With Iron Cup L: With Aluminum Cup (Available for 2000)

Graphic Symbol

Specification

Model	XAF1000 -M5	XAF2000 -01	XAF2000 -02	XAF3000 -02	XAF3000 -03	XAF4000 -03	XAF4000 -04	XAF4000 -06	XAF5000 -06	XAF5000 -10
Rated Flow(L/min)	110	750	750	1500	1500	4000	4000	6000	7000	7000
Port Size	M5	G1/8"	G1/4"	G1/4"	G3/8"	G3/8"	G1/2"	G3/4"	G3/4"	G1"
Filter Precision	25 μ									
Highest Working Pressure	1.0MPa									
Ensured pressure Resistance	1.5MPa									
Operating Temperature Range	5~60℃									
Container Material	Polycarbonate									
Protective Cover	Not Available					Available				
Drain Function	Differential Drain					Differential Drain, Automatic Drain				

Overall Dimensions




Dimension Sheet

Model	Port Size (G)	A	B	C	D	E	F	G	H	J	K	L	M	P
XAF1000	M5	25	66	7	25	-	-	-	-	-	-	-	-	26.5
XAF2000	G1/8" ~G1/4"	40	97.5	11	40	17	30	27	22	5.4	8.4	40	2.3	40
XAF3000	G1/4" ~G3/8"	53	132.5	14	53	16	41	40	23	6.5	8	53	2.3	56
XAF4000	G3/8" ~1/2"	70	168.5	18	70	17	50	54	26	8.5	10.5	70	2.3	73
XAF4000-06	G3/4"	75	172.5	20	70	14	50	54	25	8.5	10.5	70	2.3	73
XAF5000	G3/4" ~G1"	90	247.5	24	90	23	66.5	66	35	11	13	90	3.2	90



### XAR 1000~5000 Series Regulator



**Ordering Code**

<b>XA</b>	<b>R</b>	<b>4000</b>	<b>04</b>
Series XA series	Function code Regulator	Specification Code 1000 2000 3000 4000 5000	Port Size M5:M5×0.8 01:G1/8" 02:G1/4" 03:G3/8" 04:G1/2" 06:G3/4" 10:G1"

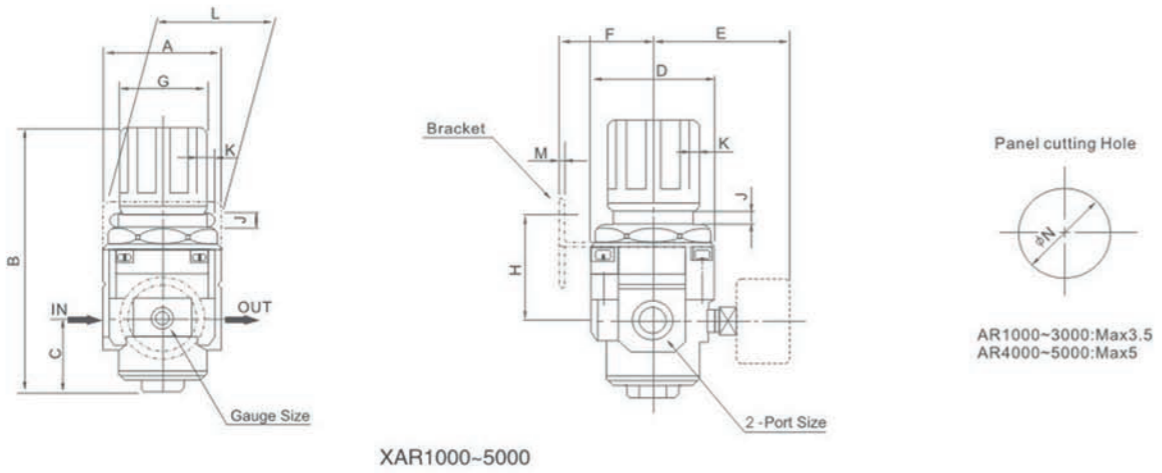
**Model Labels:** XAR5000-10, XAR4000-04, XAR2000-02



**Specification**

Model	XAR1000-M5	XAR2000-01	XAR2000-02	XAR3000-02	XAR3000-03	XAR4000-03	XAR4000-04	XAR4000-06	XAR5000-06	XAR5000-10
Rated Flow	100	550	550	2500	2500	6000	6000	6000	8000	8000
Port Size	M5	G1/8"	G1/4"	G1/4"	G3/8"	G3/8"	G1/2"	G3/4"	G3/4"	G1"
Highest Working Pressure	1.0MPa									
Ensured pressure Resistance	1.5MPa									
Operating Temperature Range	5~60℃									
Range of Adjustable Pressure	0.05~0.7MPa					0.05~0.85MPa				
Valve Type	With Overflow									


**Overall Dimensions**



**Dimension Sheet**

Model	Port Size (G)	A	B	C	D	E	F	G	H	J	K	L	M	N
XAR1000	M5	25	61.5	11	25	26	25	28	30	4.5	6.5	40	2	20.5
XAR2000	G1/8"~G1/4"	40	95	17	40	56.8	30	34	44	5.4	15.4	55	2.3	33.5
XAR3000	G1/4"~G3/8"	53	127.5	35	53	60.8	41	40	46	6.5	8	53	2.3	42.5
XAR4000	G3/8"~1/2"	70	149.5	37.5	70	65.5	50	54	54	8.5	10.5	70	2.3	52.5
XAR4000-06	G3/4"	75	154	40.5	70	69.5	50	54	56	8.5	10.5	70	2.3	52.5
XAR5000	G3/4"~G1"	90	168	48	90	75.5	70	66	65.8	11	13	90	3.2	52.5

### XAW 1000~5000 Series Filter & Regulator



**Ordering Code**

<b>XA</b>	<b>W</b>	<b>4000</b>	<b>04</b>	<b>□</b>	<b>□</b>
Series XA series	Function code Filter & Regulator	Specification Code 1000 2000 3000 4000 5000	Port Size M5:M5×0.8 01:G1/8" 02:G1/4" 03:G3/8" 04:G1/2" 06:G3/4" 10:G1"	Drain Type Blank:Manual D:Auto Drain Type (Available for 2000 or above)	Metal Cup U: With Iron Cup L: With Aluminum Cup (Available for 2000)

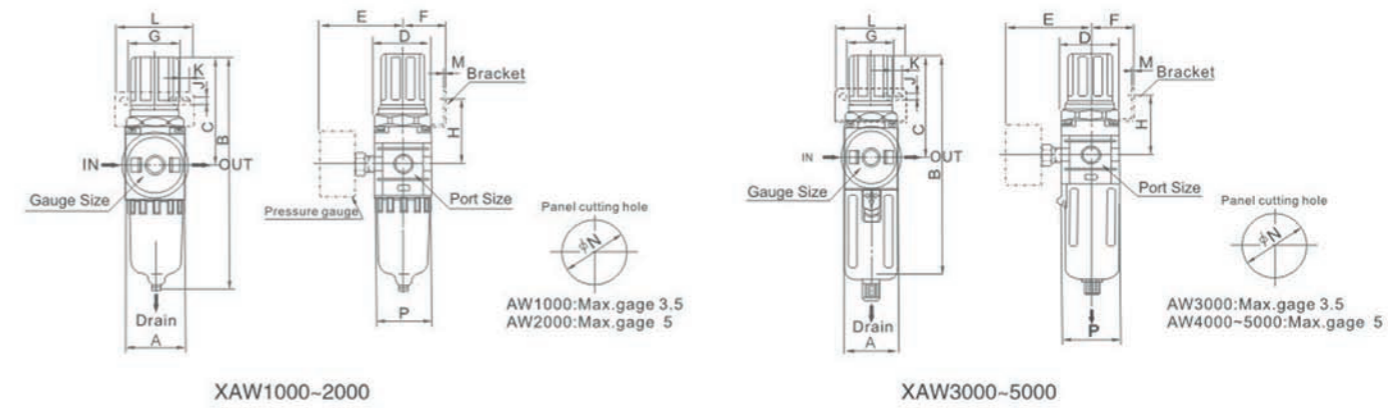
**Model Labels:** XAW5000-10, XAW4000-04, XAW2000-02



**Specification**

Model	XAW1000-M5	XAW2000-01	XAW2000-02	XAW3000-02	XAW3000-03	XAW4000-03	XAW4000-04	XAW4000-06	XAW5000-06	XAW5000-10
Rated Flow(L/min)	100	550	550	2000	2000	4000	4000	4500	5500	5500
Port Size	M5	G1/8"	G1/4"	G1/4"	G3/8"	G3/8"	G1/2"	G3/4"	G3/4"	G1"
Filter Precision	25 μ									
Highest Working Pressure	1.0MPa									
Ensured pressure Resistance	1.5MPa									
Operating Temperature Range	5~60℃									
Range of Adjustable Pressure	0.05~0.7MPa					0.05~0.85MPa				
Container Material	Polycarbonate									
Protective Cover	Not Available					Available				
Drain Function	Differential Drain					Differential Drain, Automatic Drain				
Valve Type	With Overflow									

**Overall Dimensions**



**Dimension Sheet**

Model	Port Size (G)	A	B	C	D	E	F	G	H	J	K	L	M	N	P
XAW1000	M5	25	109.5	50.5	25	26	25	28	30	4.5	6.5	40	2	20.5	28
XAW2000	G1/8"~G1/4"	40	164.5	78	40	56.8	30	34	43.5	5.4	15.4	55	2.3	33.5	40
XAW3000	G1/4"~G3/8"	53	211	92.5	53	60.8	41	40	46	6.5	8	53	2.3	42.5	56
XAW4000	G3/8"~1/2"	70	262	112	70	70.5	50	54	53.5	8.5	10.5	70	2.3	52.2	73
XAW4000-06	G3/4"	75	267	114	70	70.5	50	54	55.5	8.5	10.5	70	2.3	52.5	73
XAW5000	G3/4"~G1"	90	338	116	90	75.5	69.8	54	62	8.5	10.5	70	3.2	52.5	90

## PIR Series Precision Regulator



PIR2010-02

Port Size G1/8", G1/4", G3/8"

Standard Type, Auto Drain Type and Metal Cup as Optional.

Designed to be compact and light weight with high output flow and precise setting pressure, Can be mounted easily with bracket or assemble with XA series F.R.L.

Graphic Symbol



Ordering Code

**PIR**

**Series**  
PIR series

**20**

**Valve Body Size**  
10  
20  
30

**00**

**Pressure Range**  
00(0.005-0.2Mpa)  
10(0.05-0.4Mpa)  
20(0.01-0.8Mpa)

**02**

**Port Size**  
01:G1/8"  
02:G1/4"  
03:G3/8"  
04:G1/2"

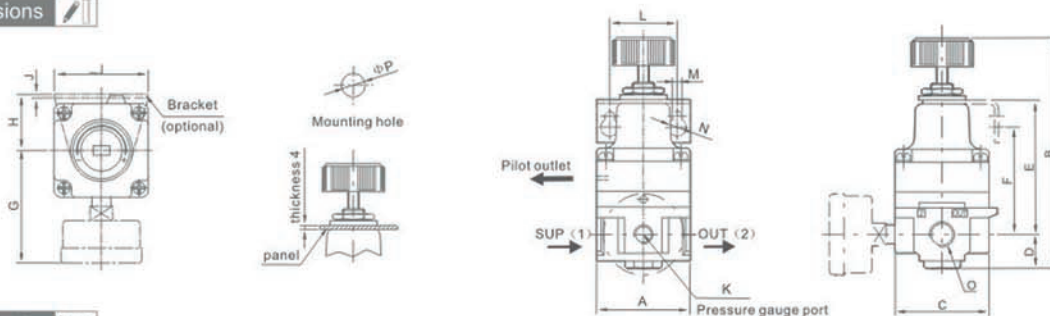
### Order Example

- 1)PIR Series, Valve Body: 20, Port Size: G1/4, Pressure Range: 10, Model: PIR-2010-02  
1)PIR Series, Valve Body: 30, Port Size: G1/2, Pressure Range: 20, Model: PIR-3010-04

Specification

Specification	PIR1000-01	PIR1010-01	PIR1020-01	PIR2000-02	PIR2010-02	PIR2020-02	PIR3000-03/04	PIR3010-03/04	PIR3020-03/04
Pressure Range	0.005-0.2	0.01-0.4	0.01-0.8	0.005-0.2	0.01-0.2	0.01-0.8	0.01-0.2	0.01-0.4	0.01-0.8
Port Size	G1/8			G1/4			G3/8, G1/2		
Air consumption	Max 3.5L/min			Max 3.1L/min			Max 9.5L/min Outlet: Max 2L/min		
Minimum pressure	Setting pressure+0.05			Setting pressure+0.05			Setting pressure+0.05		
Maximum pressure	1.0MPa								
Sensitivity	Within 0.2% of full span								
Repeatability	Within ± 0.5% of full span								
Ambient and Fluid Temperature	-5~+60 ( with no freezing )								
Pressure Gauge Port	G1/8								

Overall Dimensions



Dimension Sheet

Model	A	B	C	D	E	F	G	H	I	J	K	L	M	N	O	P
PIR1000-01	35	90	35	10	51	44	43	25	42	2	G1/8	28	4.5	φ 8.5	G1/8	φ 10.5
PIR1010-01	35	90	35	10	51	44	43	25	42	2	G1/8	28	4.5	φ 8.5	G1/8	φ 10.5
PIR1020-01	35	90	35	10	51	44	43	25	42	2	G1/8	28	4.5	φ 8.5	G1/8	φ 10.5
PIR2000-02	50	123	50	18	71	63	60	30	50	2	G1/8	36	5.5	φ 9.5	G1/8	φ 12.5
PIR2010-02	50	123	50	18	71	63	60	30	50	2	G1/8	36	5.5	φ 9.5	G1/8	φ 12.5
PIR2020-02	50	123	50	18	71	63	60	30	50	2	G1/8	36	5.5	φ 9.5	G1/8	φ 12.5
PIR3000-03	66	148	66	22	76	76	68	48	82	2.3	G1/8	60	9	φ 15.5	G3/8	φ 12.5
PIR3010-03	66	148	66	22	76	76	68	48	82	2.3	G1/8	60	9	φ 15.5	G1/2	φ 12.5
PIR3020-03	66	148	66	22	76	76	68	48	82	2.3	G1/8	60	9	φ 15.5		φ 12.5