

XOU Series Air Source Treatment Unit



XOU-MINI

The XOU consisted of XOFR and XOL, each unit can be ordered separately.
 The XOF with water separator cleans the compressed air of fluid oil, condensation and dirt. Particles. For special application, the standard 40µm filter element may easily be replaced by a 5µm filter element.
 The XOR maintain inputting constant operating pressure despite fluctuation in line pressure and the amount of air consumed. The proportional lubricator adds a regulated quantity of oil to the filtered air. The oil-mist content proportional to the flow and oil can be added during operation. The oil drop rate is controlled by the adjustable bolt. Normally, 1 to 12 drops/1000L of the air is sufficient

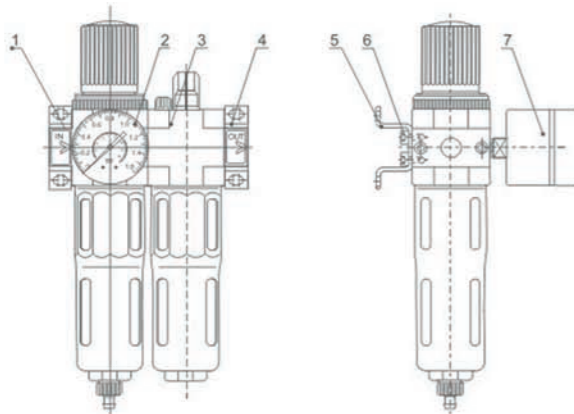
Ordering Code

XO	U	MINI	1/4			
Series XO Series	Function code FRL Combination	Body MINI MIDI MAXI	Port Size G1/8" G1/2" G1/4" G3/4" G3/8" G1"	Grade of Filtration Blank: 40µm 5M: 5µm	Manometer Blank: 12bar 7: 7bar	Drain Type Blank: Turned Manually A: Auto Drain Type

Specification

Service units	MINI			MIDI			MAXI			
Manual Drain	Working pressure: 12bar, 40µm	XOU-1/8-MINI	XOU-1/4-MINI	XOU-3/8-MINI	XOU-3/8-MIDI	XOU-1/2-MIDI	XOU-3/4-MIDI	XOU-3/4-MAXI	XOU-1-MAXI	
	Working pressure: 7bar, 40µm	XOU-1/8-7-MINI	XOU-1/4-D-7-MINI	XOU-3/8-7-MINI	XOU-3/8-7-MIDI	XOU-1/2-7-MIDI	XOU-3/4-7-MIDI	XOU-3/4-7-MAXI	XOU-1-7-MAXI	
	Working pressure: 12bar, 5µm	XOU-1/8-5M-MINI	XOU-1/4-5M-MINI	XOU-3/8-5M-MINI	XOU-3/8-5M-MIDI	XOU-1/2-5M-MIDI	XOU-3/4-5M-MIDI	XOU-3/4-5M-MAXI	XOU-1-5M-MAXI	
Manometer	0~12bar	OMA-40-16-1/8			OMA-50-16-1/4					
	0~7bar	OMA-40-10-1/8			OMA-50-10-1/4					
Medium	Compressed air									
Features of structure	Sintered filter with water separator; MINI/MIDI/MAXI: Piston regulator; Diaphragm type regulator; Direct constant-density lubricator									
Mounting type	Pipe mounting or foot mounting									
Assembly position	Vertical ±5°									
Standard nominal flow rate	Connection	G1/8"	G1/4"	G3/8"	G3/8"	G1/2"	G3/4"	G3/4"	G1"	
	XOU-...(-A)	700	1000	1200	2000	2600	2600	7000	8000	
	XOU-...-7(-A)	800	1300	1500	2500	2800	2800	8500	8700	
Primary pressure	Manual condensate drain								1~16bar	
	Automatic condensate drain								1.5~12bar	
Working pressure								0.5~12bar/0.5~7bar		
Min. Standard nominal flow rate	3 L/min			6 L/min			10 L/min			
Grade of filtration	40µm/5µm									
Capacity of condensate fluid	22ml									
Temperature range	0~60°C									
Materials information	Housing: Zinc die-casting; Filter bowl and oil bowl: PC; Metal bowl guard: Aluminum alloy; Sealing: NBR; Adjusting knob: POM									

Internal structure

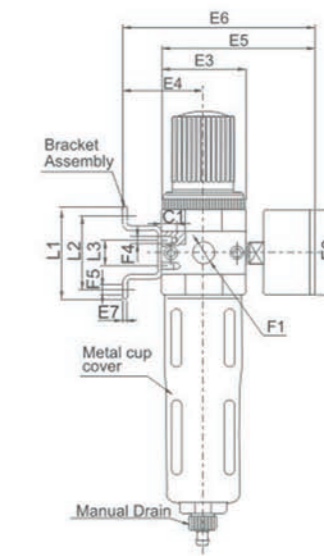
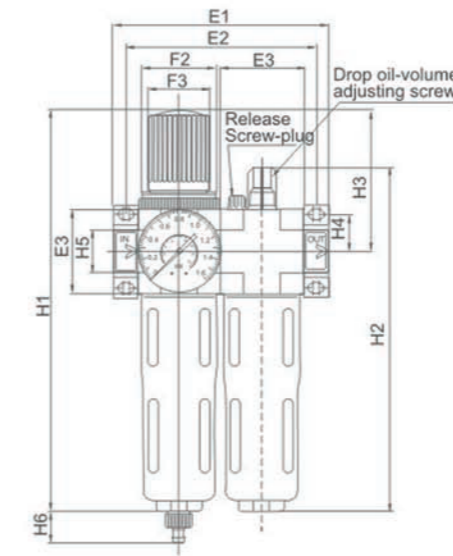
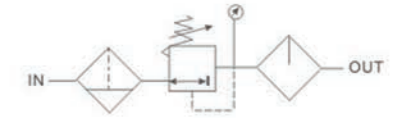


NO	Item	Material
1	Flange-IN	Zinc alloy
2	Filter + Regulator	
3	Lubricator	
4	Flange - OUT	Zinc alloy
5	Bracket	SPCC
6	Allen screw	S35C
7	Pressure gauge	

XOU Series Air Source Treatment Unit

Overall Dimensions

Graphic Symbol



Dimension Sheet

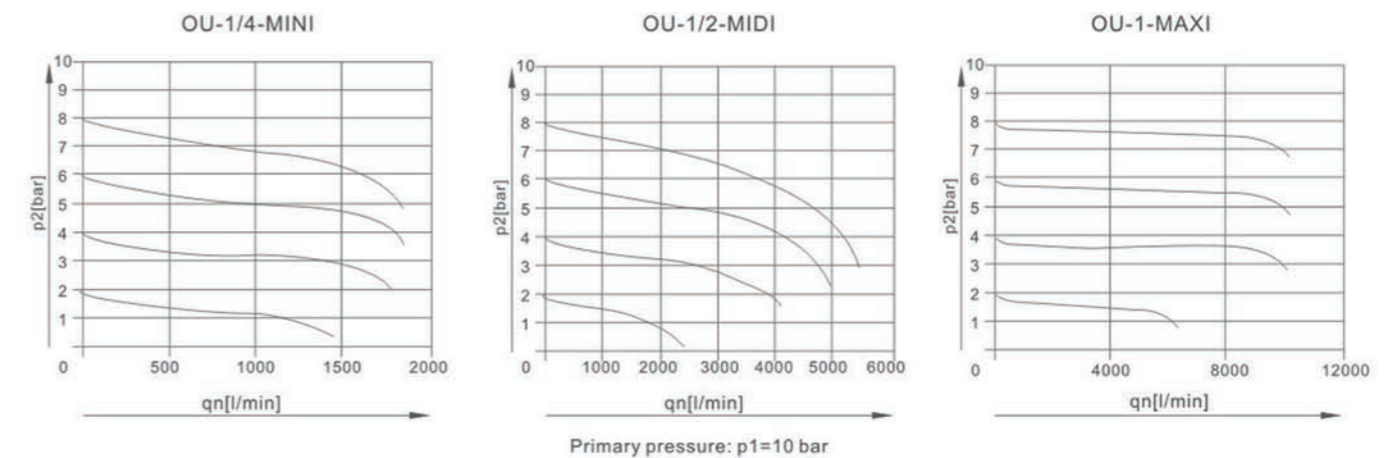
Model	E1	E2	E3	E4	E5	E6	E7	F1	F2
XOU-...-MINI	104	92	40	39	76	95	2	G1/8", G1/4", G3/8"	M36 × 1.5
XOU-...-MIDI	140	125	55	47	93	112	3	G3/8", G1/2", G3/4"	M52 × 1.5
XOU-...-MAXI	162, 182	146, 157	66	53	104	124	3	G3/4", G1"	M52 × 1.5

Model	F3 Φ	F4	F5 Φ	F6 Φ	L1	L2	L3	H1	H2	H3	H4	H5	H6
XOU-...-MINI	31	M4	4.5	41	44	35	11	194	169	69	17.5	20	15
XOU-...-MIDI	50	M5	5.5	52	71	60	22	250	206	97	24.5	32	15
XOU-...-MAXI	50	M5	5.5	53	71	60	22	272	226	80	24.5	32, 40	15

Note: The Color Can Be Customized According to Your Requirement.

Flow diagram

Standard flow rate qn as a function of the output pressure p2



XOFR Series Filter & Regulator

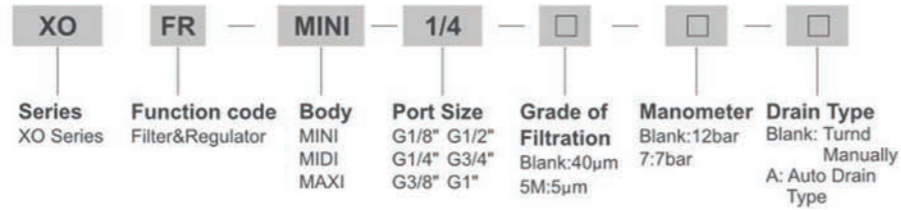


XOFR-MINI

Filter and pressure regulator combine a single unit, and cleans the compressed air of fluid oil, condensation and dirt particles. For special application, the standard 40µm filter element may easily be replaced by a 5µm filter element.

The XOR maintain im putting constant operating pressure despite fluctuation in line pressure and the amount of air consumed.

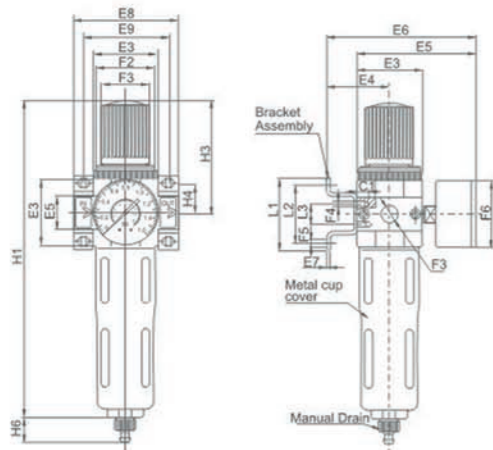
Ordering Code



Specification

Filter regulators		MINI			MIDI			MAXI	
Manual Drain	Working pressure:12bar,40µm	XOFR-1/8-MINI	XOFR-1/4-MINI	XOFR-3/8-MINI	XOFR-3/8-MIDI	XOFR-1/2-MIDI	XOFR-3/4-MIDI	XOFR-3/4-MAXI	XOFR-1-MAXI
	Working pressure:7bar,40µm	XOFR-1/8-7-MINI	XOFR-1/4-7-MINI	XOFR-3/8-7-MINI	XOFR-3/8-7-MIDI	XOFR-1/2-7-MIDI	XOFR-3/4-7-MIDI	XOFR-3/4-7-MAXI	XOFR-1-7-MAXI
	Working pressure:12bar,5µm	XOFR-1/8-5M-MINI	XOFR-1/4-5M-MINI	XOFR-3/8-5M-MINI	XOFR-3/8-5M-MIDI	XOFR-1/2-5M-MIDI	XOFR-3/4-5M-MIDI	XOFR-3/4-5M-MAXI	XOFR-1-5M-MAXI
Manometer	0~12bar	OMA-40-16-1/8			OMA-50-16-1/4				
	0~7bar	OMA-40-10-1/8			OMA-50-10-1/4				
Medium		Compressed air							
Features of structure		Sintered filter with water separator;MINI/MID:Diaphragm type-regulator;MAXI:Piston regulator;							
Mounting type		Pipe mounting or foot mounting							
Assembly position		Vertical ±5°							
Standard nominal flow rate	Connection	G1/8"	G1/4"	G3/8"	G3/8"	G1/2"	G3/4"	G3/4"	G1"
	XOFR-...	750	1400	1600	3100	3400	3400	9000	10000
	XOFR-...-7	900	1500	1700	3400	3900	3900	9500	16000
Primary pressure	Manual condensate drain	1~16bar							
	Automatic condensate drain	1.5~12bar							
Working pressure		0.5~12bar/0.5~7bar							
Grade of filtration		40µm/5µm							
Max. Condensate Capacity		22ml							
Temperature range		0~60°C							
Materials information		Housing:Zinc die-casting;Filter bowl:PC;Metal bowl guard:Aluminum alloy;Sealing:NBR;Adjusting knob:POM							

Overall Dimensions



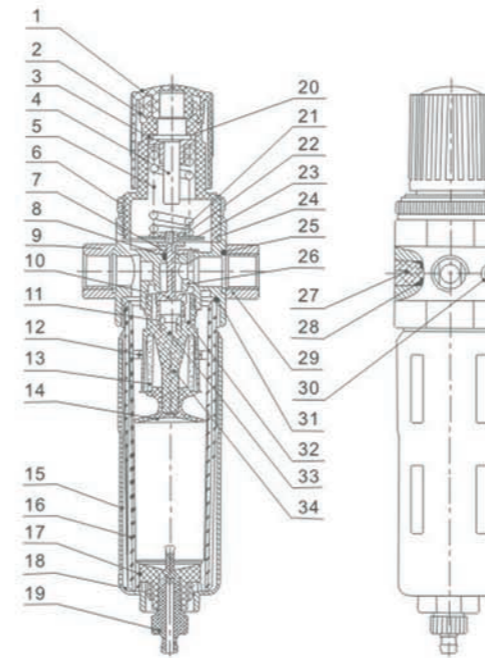
Dimension Sheet

Model	E3	E4	E5	E6	E8	E9	F1	F2
XOFR-...-MINI	40	39	76	95	64	52	G1/8",G1/4",G3/8"	M36×1.5
XOFR-...-MIDI	55	47	93	112	85	70	G3/8",G1/2",G3/4"	M52×1.5
XOFR-...-MAXI	66	53	104	124	116	91	G3/4",G1"	M52×1.5

Model	F3Φ	F4	F5Φ	F6Φ	L1	L2	L3	H1	H3	H4	H5	H6
XOFR-...-MINI	31	M4	4.5	41	44	35	11	194	69	17.5	20	15
XOFR-...-MIDI	50	M5	5.5	52	73	60	22	250	98	24.5	32	15
XOFR-...-MAXI	50	M5	5.5	53	73	60	22	272	80	24.5	32,40	15

XOFR Series Filter & Regulator

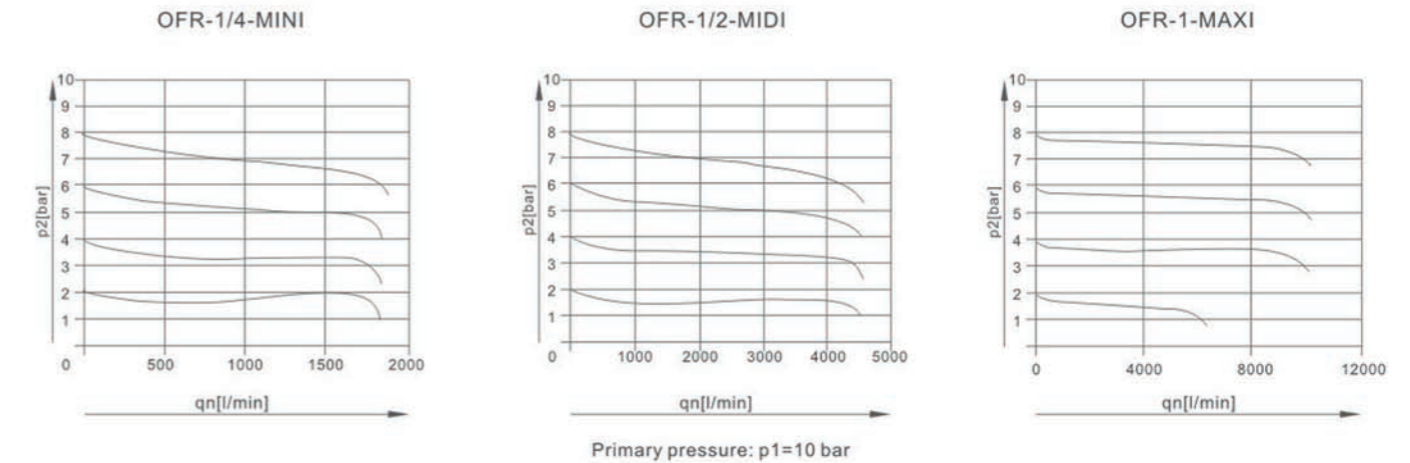
Internal structure



NO	Item	Material	NO	Item	Material
1	Pressure knob	POM	18	Inner joint	POM
2	Regulator cap	POM	19	Condensate drain	POM
3	Regulator nut	S35C	20	Wearing sheet	Insulation sheet
4	Adjusting spindle	S35C	21	OR Sheet	NBR
5	Pressure spring	SWC	22	Overflow base	6061-T6
6	Fixed ring	6061-T6	23	One part of diaphragm	SPCC
7	One part of membrane	PA6+G15	24	Diaphragm	NBR+Nylon Mesh
8	O-ring	NBR	25	O-ring	NBR
9	Flange-IN	Zinc alloy	26	OR Body	Zinc alloy
10	Spool	Brass	27	Plug	POM
11	O-ring	NBR	28	O-ring	NBR
12	Whirl wind impeller	POM	29	Flange-OUT	Zinc alloy
13	Filter element	PE	30	Allen screw	S35C
14	Manger	POM	31	O-ring	NBR
15	Metal bowl guard	Aluminum alloy	32	Spring	SWPB
16	Filter bowl	PC	33	Fasteners	Brass
17	O-ring	NBR	34	Filter element base	POM

Flow diagram

Standard flow rate qn as a function of the output pressure p2



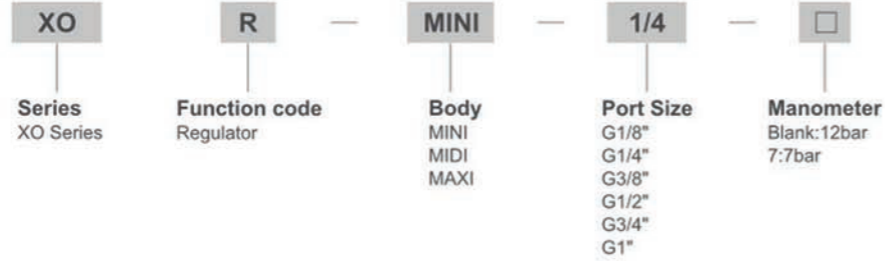
XOR Series Regulator



XOR-MINI

The XOR maintain inputting constant operating pressure despite fluctuation in line pressure and the amount of air consumed.

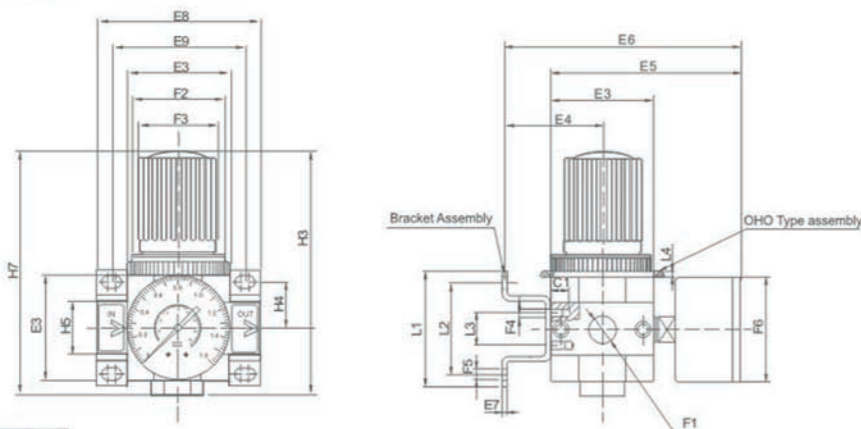
Ordering Code



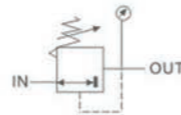
Specification

Regulators	MINI			MIDI			MAXI	
Working pressure 12bar	XOR-1/8-MINI	XOR-1/4-MINI	XOR-3/8-MINI	XOR-3/8-MIDI	XOR-1/2-MIDI	XOR-3/4-MIDI	XOR-3/4-MAXI	XOR-1-MAXI
Working pressure 7bar	XOR-1/8-7-MINI	XOR-1/4-7-MINI	XOR-3/8-7-MINI	XOR-3/8-7-MIDI	OXR-1/2-7-MIDI	XOR-3/4-7-MIDI	XOR-3/4-7-MAXI	XOR-1-7-MAXI
Manometer	0~12bar			OMA-40-16-1/8			OMA-50-16-1/4	
	0~7bar			OMA-40-10-1/8			OMA-50-10-1/4	
Medium	Filtered, compressed air (lubricated or unlubricated)							
Features of structure	MINI/MIDI: Diaphragm type regulator; MAXI: Piston regulator							
Mounting type	Pipe/foot/Plate mounting							
Assembly position	Any							
Connection	G1/8"	G1/4"	G3/8"	G3/8"	G1/2"	G3/4"	G3/4"	G1"
Standard nominal flow rate	XOR-...	800	1500	1700	3200	3500	3500	11000
	XOR-...-7-	1000	1600	1800	3300	4000	4500	12000
Primary pressure	1~16bar							
Working pressure	0.5~12bar/0.5~7bar							
Temperature range	0~60°C							
Materials information	Housing: Zinc die-casting; Sealing: NBR; Adjusting knob: POM							

Overall Dimensions



Graphic Symbol

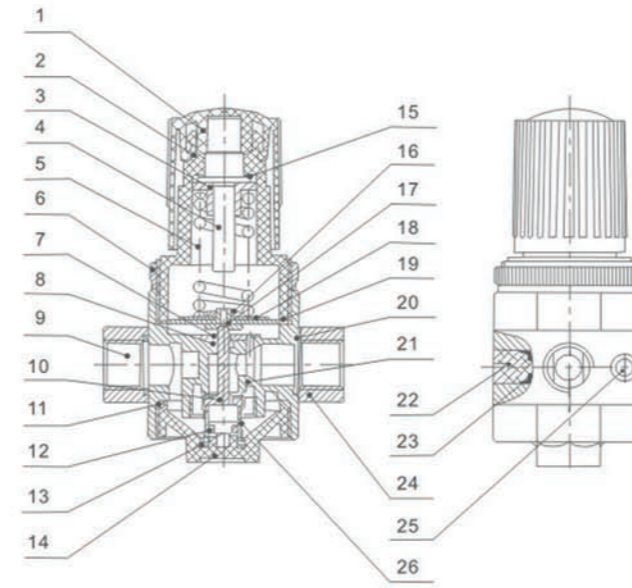


Dimension Sheet

Model	E3	E4	E5	E6	E8	E9	F1	F2	F3Φ	F4	F5Φ	F6Φ	L1	L2	L3	L4	H3	H4	H7
XOR-...-MINI	40	39	76	95	64	52	G1/8", G1/4", G3/8"	M36×1.5	31	M4	4.5	41	44	35	11	Max.3	69	17.5	96
XOR-...-MIDI	55	47	93	112	85	70	G3/8", G1/2", G3/4"	M52×1.5	50	M5	5.5	52	73	60	22	Max.5	98	24.5	96
XOR-...-MAXI	66	53	104	124	96,116	80,91	G3/4", G1"	M52×1.5	31	M5	5.5	53	73	60	22	Max.4	80	24.5	96

XOR Series Regulator

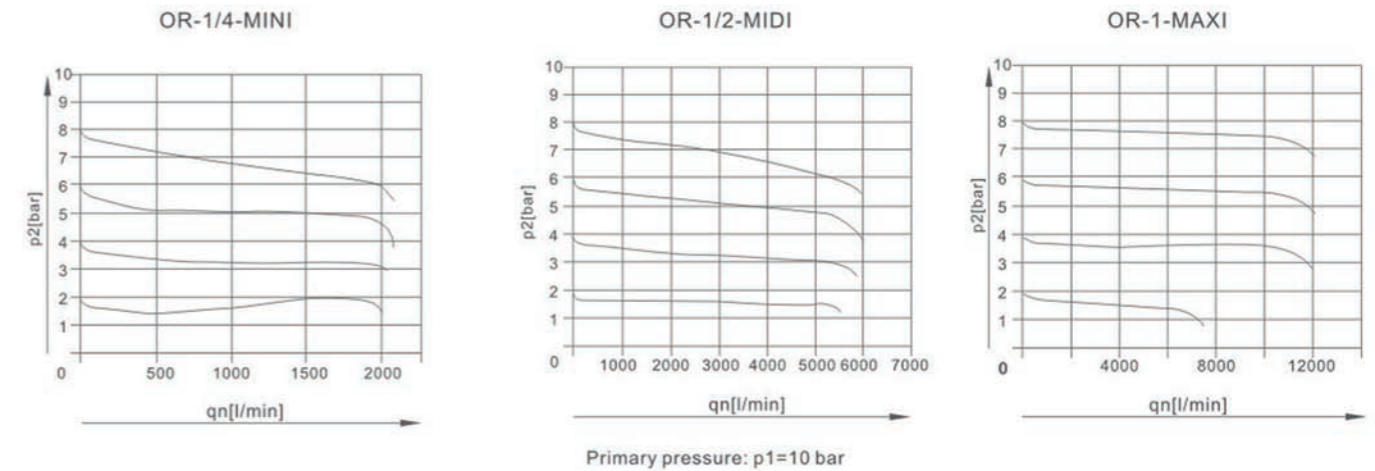
Internal structure



NO	Item	Material
1	Pressure knob	POM
2	Regulator cap	POM
3	Regulator nut	S35C
4	Adjusting spindle	S35C
5	Pressure spring	SWC
6	Fixed ring	6061-T6
7	One part of membrane	NBR
8	O-ring	NBR
9	Flange-IN	Zinc alloy
10	Spool	Brass
11	O-ring	NBR
12	O-ring	NBR
13	Fasteners	Brass
14	Locker cover	Zinc alloy
15	Wearing sheet	Insulation sheet
16	OR Sheet	NBR
17	Overflow base	6061-T6
18	One part of diaphragm	SPCC
19	Diaphragm	NBR+Nylon Mesh
20	O-ring	NBR
21	OR Body	Zinc alloy
22	Plug	POM
23	O-ring	NBR
24	Flange-OUT	Zinc alloy
25	Allen screw	S35C
26	Spring	SWPB

Flow diagram

Standard flow rate qn as a function of the output pressure p2



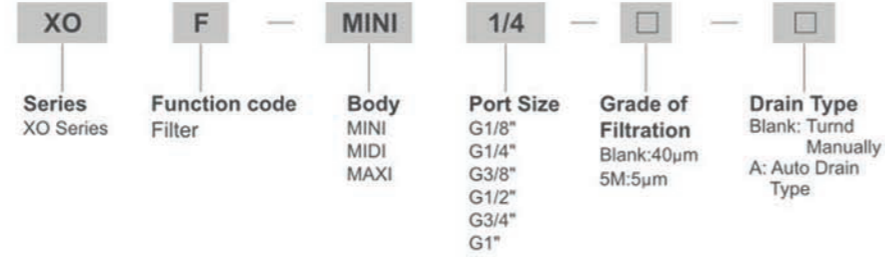
XOF Series Air Filter

The OF with water separator cleans the compressed air of fluid oil, condensation and dirt particles, for special application, the standard 40 μm filter element may easily be replaced by a 5 μm filter element.



XOF-MINI

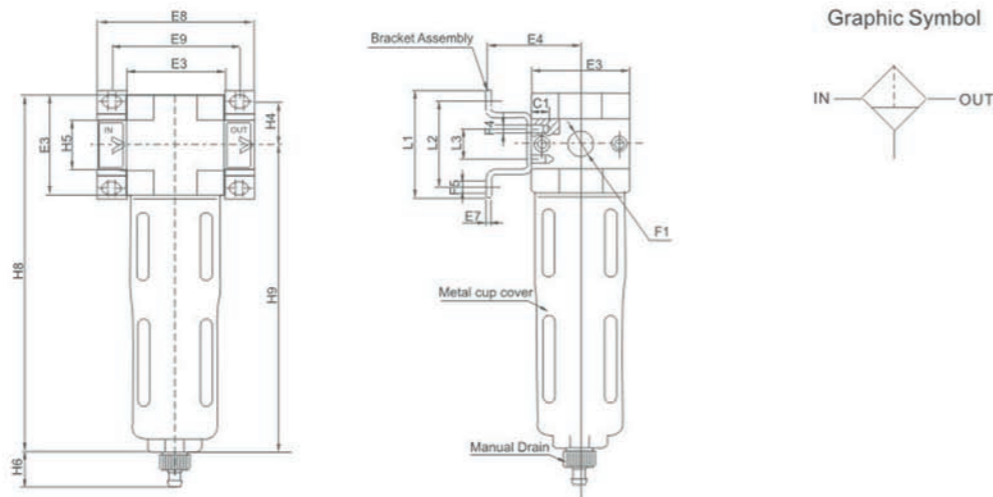
Ordering Code



Specification

Filters		MINI			MIDI			MAXI	
40μm	Manual Drain	XOF-1/8-MINI	XOF-1/4-MINI	XOF-3/8-MINI	XOF-3/8-MIDI	XOF-1/2-MIDI	XOF-3/4-MIDI	XOF-3/4-MAXI	XOF-1-MAXI
5μm		XOF-1/8-5M-MINI	XOF-1/4-5M-MINI	XOF-3/8-5M-MINI	XOF-3/8-5M-MIDI	XOF-1/2-5M-MIDI	XOF-3/4-5M-MIDI	XOF-3/4-5M-MAXI	XOF-1-5M-MAXI
Medium		Compressed air							
Features of structure		Sintered filter with water spartor							
Mounting type		Pipe mounting or foot mounting							
Assembly position		Vertical ±5°							
Connection		G1/8"	G1/4"	G3/8"	G3/8"	G1/2"	G3/4"	G3/4"	G1"
Standard nominal flow rate	OF-...	1000	1200	1400	2700	3000	3000	5000	5300
	OF-...-5M	600	950	1100	1800	1900	1900	3200	3300
Primary pressure	Manual drain	1~16bar							
Grade of filtration		40μm/5μm							
Max. condensate capacity		22ml							
Temperature range		0~60°C							
Materials information		Housing: Zinc die-casting; Filter bowl: PC; Metal bowl guard: Aluminum alloy; Sealing: NBR							

Overall Dimensions

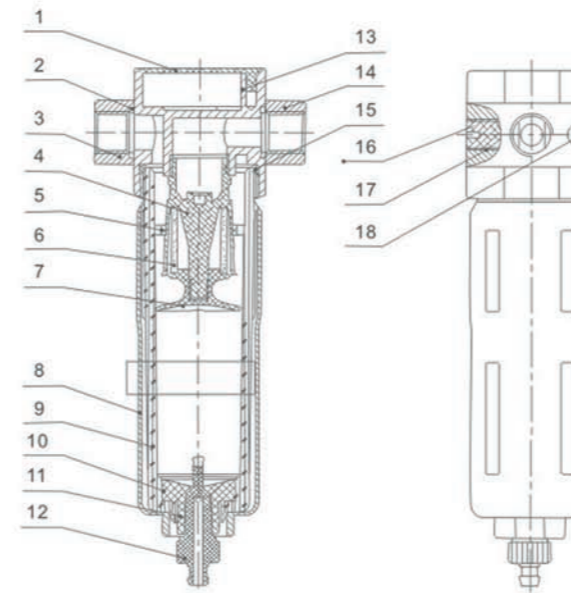


Dimension Sheet

Model	E3	E4	E7	E8	E9	F1	F4	F5Φ	L1	L2	L3	H4	H5	H6	H8	H9
XOF-...-MINI	40	39	2	64	52	G1/8", G1/4", G3/8"	M4	4.5	44	35	11	17.5	20	15	144	124
XOF-...-MIDI	55	47	3	85	70	G1/8", G1/2", G3/4"	M5	5.5	71	60	22	30	32	15	180	153
XOF-...-MAXI	66	53	3	96,116	80,91	G3/4", G1"	M5	5.5	71	60	22	30	32,40	15	203	170

XOF Series Air Filter

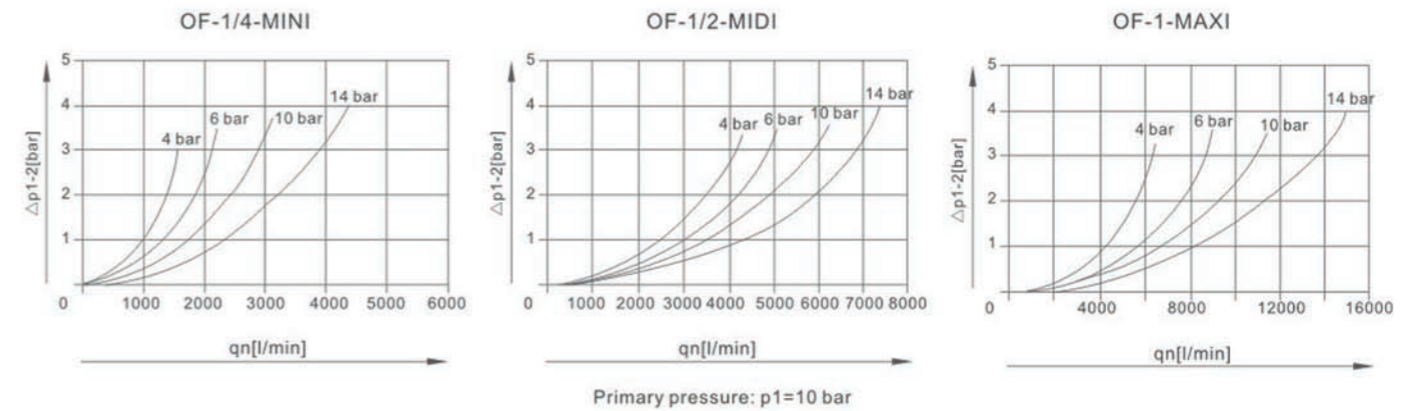
Internal structure



NO	Item	Material
1	Ornament cover(round)	POM
2	O-ring	NBR
3	Flange-IN	Zinc alloy
4	Filter element base	POM
5	Whirl wind impeller	POM
6	Filter element	PE
7	Manger	POM
8	Metal bowl guard	Aluminum alloy
9	Filter bowl	PC
10	O-ring	NBR
11	Inner joint	POM
12	Condensate drain	POM
13	OF Body	Zinc alloy
14	Flange-OUT	Zinc alloy
15	O-ring	NBR
16	Plug	POM
17	O-ring	NBR
18	Allen screw	S35C

Flow diagram

Standard flow rate qn as a function of the output pressure p2



XOL Series Lubricator



XOL-MINI

The direct constant-density lubricator add regulatd quantity oil to the compressed air.A valve maintains oil mist content proportional to the compressed oil flow.
 The pressure drop that occurs when the air flow through a sight feed oil cup delives oil from the bowl to the sight oil indicator.The drop of the oil flows into the air channel when it is atomized.
 The oil drop rate is controlled by means of the regulating screw.Normally,1 to 12 drops/1000L of the air is sufficient.

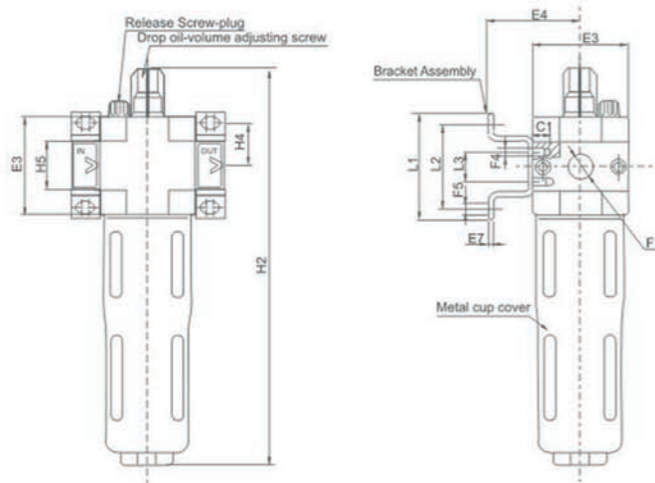
Ordering Code

XO Series XO Series
L Function code Lubricator
MINI Body MINI MIDI MAXI
1/4 Port Size G1/8" G1/2" G1/4" G3/4" G3/8" G1"

Specification

Lubricators	MINI		MIDI		MAXI			
	XOL-1/8-MINI	XOL-1/4-MINI	XOL-3/8-MINI	XOL-3/8-MIDI	XOL-1/2-MIDI	XOL-3/4-MIDI	XOL-3/4-MAXI	XOL-1-MAXI
Medium	Compressed air							
Features of structure	Sintered filter with water separator The direct Constant-density Lubricator							
Mounting type	Pipe mounting or foot mounting							
Assembly position	Vertical ±5°							
Connection	G1/8"	G1/4"	G3/8"	G3/8"	G1/2"	G3/4"	G3/4"	G1"
Standard nominal flow rate	1300	2300	2700	5500	6100	6300	8400	9000
Max.Working pressure	16bar							
Min.Standard nominal flow rate	3 L/min		6 L/min		10 L/min			
Max.condensate capacity	22ml							
Temperature range	0~60°C							
Materials information	Housing:Zinc die-casting;Oil bowl and Drop cap :PC;Metal bowl guard:Aluminum alloy;Sealing:NBR							
Recommended oil	ISO VG 32 or the same grade							

Overall Dimensions



Graphic Symbol

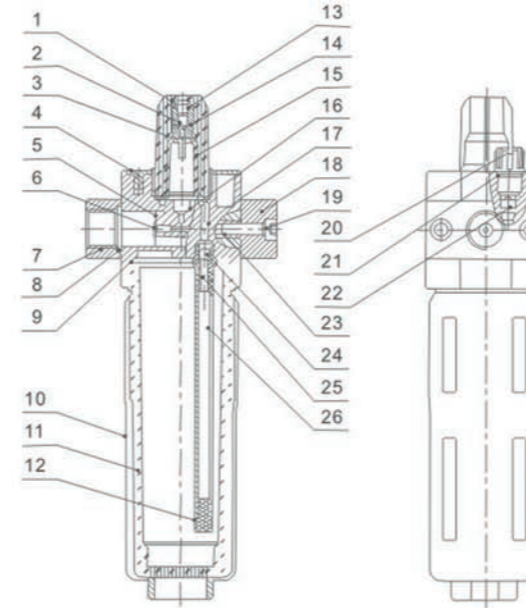


Dimension Sheet

Model	E3	E4	E7	F1	F4	F5φ	L1	L2	L3	H4	H5
XOL-...-MINI	40	39	2	G1/8",G1/4",G3/8"	M4	4.5	44	35	11	17.5	20
XOL-...-MIDI	55	47	3	G1/8",G1/2",G3/4"	M5	5.5	73	60	22	30	32
XOL-...-MAXI	66	53	3	G3/4",G1"	M5	5.5	73	60	22	30	32,40

XOL Series Lubricator

Internal structure



NO	Item	Material
1	Upper glass	PC
2	Adjust screw	Brass
3	O-ring	NBR
4	Ornament cover(circular)	PO
5	Windshield chip	NBR
6	Windshield base	Brass
7	Flange-IN	Zinc alloy
8	O-ring	NBR
9	O-ring	NBR
10	Metal bowl guard	Aluminum alloy
11	Lubricator bowl	PC
12	Oil-filter plup	Brass powder sintered
13	O-ring	NBR
14	Screw base	Brass
15	Oil dropping	PC
16	Seal piece	NBR
17	OL Body	Zinc alloy
18	Flange-OUT	Zinc alloy
19	Allen screw	S35C
20	Bleeder screw	POM
21	O-ring	NBR
22	Valve pin	Brass
23	Double-end bolt	SUS
24	Steel ball	SUS304
25	Oil tube connection	POM
26	Oil tube	PU

Flow diagram

Standard flow rate qn as a function of the output pressure p2

