

ADVU Series Compact Cylinder(ISO6431)



ADVU 40 x 50-S

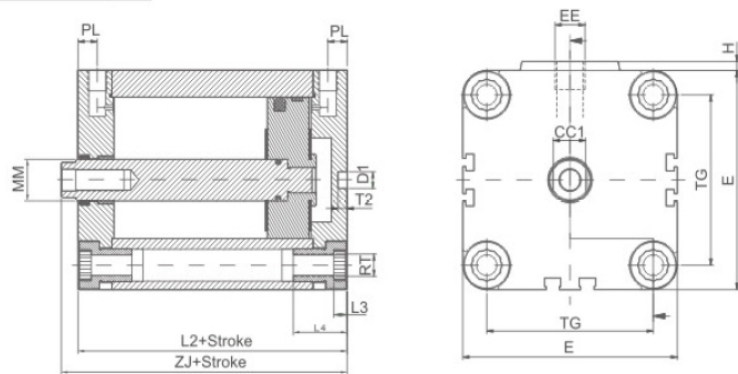
Ordering Code

ADVU — **50** × **80** — **S** — **B**
Series Code
 ADVU: Double Action Type
 AEVUZ: Single-Action type
 ADVUD: Double-shaft
 Double Action Type
Cylinder Bore
 16mm-100mm
Stroke
 Normal Type:
 16-25: 1-200mm
 32-63: 1-300mm
 80-100: 1-400mm
 Single Action:
 16-100: 1-25mm
Magnet Code
 Blank: Without Magnet
 S: With Magnet
Cog Type
 Blank: Inner Thread
 B: Outer Thread

Specification

| | | | | | | | | | |
|-------------------------------|--------------------------------------|---------------|-------------|-------------|---------|---------|-------|-------------|-----|
| Bore(mm) | 16 | 20 | 25 | 32 | 40 | 50 | 63 | 80 | 100 |
| Action | Double Acting, single rod/double rod | | | | | | | | |
| Working Medium | Air | | | | | | | | |
| Ensured Pressure Resistance | 1.5MPa | | | | | | | | |
| Operating pressure range | ADVU - -P-A | 0.12~1.0MPa | 0.1~1.0MPa | 0.08~1.0MPa | | | | 0.06~1.0MPa | |
| | ADVU - -P-A-S2 | 0.13~1.0MPa | 0.12~1.0MPa | 0.1~1.0MPa | | | | 0.8~1.0MPa | |
| Ambient and fluid temperature | -20~80 (No freezing) | | | | | | | | |
| Port size | M5 | | | G1/8" | | | G1/4" | | |
| | Female thread | M4 | M5 | M6 | M8 | M10 | M12 | | |
| Piston rod thread | Male thread | M8 | M10×1.25 | M12×1.25 | M16×1.5 | M20×1.5 | | | |
| | Cushion | Rubber bumper | | | | | | | |

Overall Dimensions



ADVU□-□-P-A/Series

Note
 To attach cylinder. 12 and 16mm from above, use only 2 screws diagonally or non-magnetic screws.
 += plus stroke length
 2 Minimum screw-in depth

Dimension Sheet

| Bore size(mm) | D1 | E | EE | H | L2 | L3 | L4 | MM | PL | RT | T2 | TG | ZJ | CC1 |
|---------------|----|-----|------|-----|------|----|------|----|------|-----|----|-----|------|-----|
| 16 | 6 | 29 | M5 | 1 | 38 | 4 | 18.5 | 8 | 8 | M4 | 4 | 18 | 44 | 6 |
| 20 | 6 | 36 | M5 | 1.5 | 38 | 4 | 18.5 | 10 | 8 | M5 | 4 | 22 | 43.5 | 8 |
| 25 | 6 | 40 | M5 | 1.5 | 39.5 | 4 | 18.5 | 10 | 8 | M5 | 4 | 26 | 46 | 8 |
| 32 | 6 | 50 | G1/8 | 2 | 44.5 | 5 | 22 | 12 | 8 | M6 | 4 | 32 | 51.5 | 10 |
| 40 | 6 | 60 | G1/8 | 2.5 | 45.5 | 5 | 22 | 12 | 8 | M6 | 4 | 42 | 52 | 10 |
| 50 | 6 | 68 | G1/8 | 2.8 | 46.5 | 5 | 22 | 16 | 8 | M8 | 4 | 50 | 54.5 | 14 |
| 63 | 8 | 88 | G1/8 | 4 | 50 | 6 | 26 | 16 | 8 | M10 | 4 | 62 | 56 | 14 |
| 80 | 8 | 107 | G1/8 | 4 | 56 | 6 | 26 | 20 | 8.5 | M10 | 4 | 82 | 62 | 17 |
| 100 | 8 | 128 | G1/4 | 5 | 66.5 | 8 | 26 | 20 | 10.5 | M10 | 4 | 103 | 76.5 | 22 |

Note: ADVU Series Cylinder With 100mm Bore Is Being Developed, Not Available At The Moment.

SDA Series Thin Type(Compact) Cylinder



SDA 32 x 25

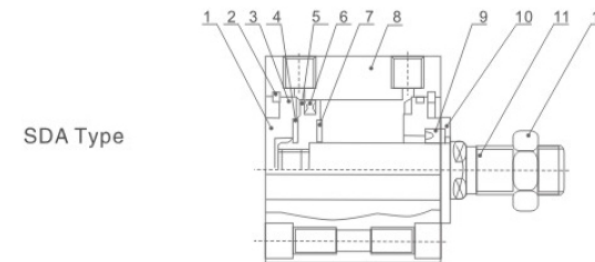


SDAJ 32 x 25-10

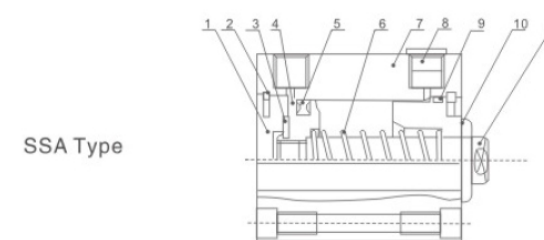
Ordering Code

SDA — **20** × **30** — **5** — **S** — **B**
Series Code
 SDA: Double Action Type
 SSA: Single Action Extrusion Type
 STA: Single Action Drawing-in Type
 SDAD: Double-shaft Double Action Type
 SDAJ: Double-shaft and Adjustable Stroke Type
Cylinder Bore
 12mm~100mm
Stroke
Adjust Stroke
 5mm
 15mm
 25mm
Magnet Code
 Blank: Without Magnet
 S: With Magnet
Cog Type
 Blank: Inner Thread
 B: Outer Thread
 N: No Thread

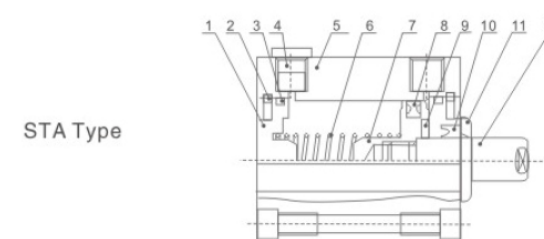
Internal structure



| NO | Designation | NO | Designation |
|----|-----------------------|----|--------------------|
| 1 | Back cover | 2 | Type C buckle ring |
| 3 | O-ring | 4 | Anti-crash cushion |
| 5 | Piston | 6 | Piston O-ring |
| 7 | Anti-crash cushion | 8 | Barrel |
| 9 | Front cover seal ring | 10 | Front cover |
| 11 | Piston rod | 12 | Piston Rod Nut |



| NO | Designation | NO | Designation |
|----|--------------------|----|--------------------|
| 1 | Back cover | 2 | Type C buckle ring |
| 3 | Anti-crash cushion | 4 | Piston |
| 5 | Piston O-ring | 6 | Compressed spring |
| 7 | Barrel | 8 | Silencer |
| 9 | Cover O-ring | 10 | Front cover |
| 11 | Piston rod | | |



| NO | Designation | NO | Designation |
|----|--------------------|----|---------------------|
| 1 | Back cover | 2 | Type C buckle ring |
| 3 | Cover O-ring | 4 | Silencer |
| 5 | Barrel | 6 | Compressed spring |
| 7 | Piston | 8 | Piston O-ring |
| 9 | Anti-crash cushion | 10 | Front cover sealing |
| 11 | Front cover | 12 | Piston rod |

SDA Series Thin Type(Compact) Cylinder

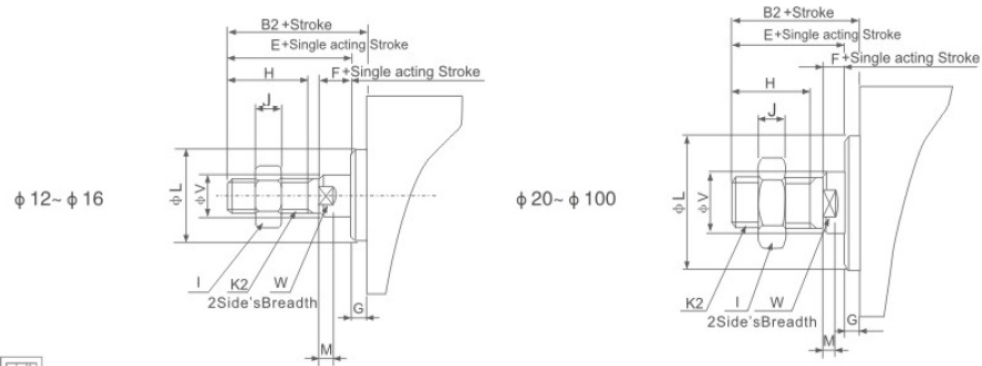
Specification

| | | | | | | | | | | | |
|-----------------------------|------------------------------|----|----|----|----|-------------------------------|----|-------|------------|-------|------------|
| Bore(mm) | 12 | 16 | 20 | 25 | 32 | 40 | 50 | 63 | 80 | 100 | |
| Motion Pattern | Double Acting | | | | | | | | | | |
| | Single Acting Extrusion type | | | | | Single Acting Drawing-in Type | | | | | |
| Working Medium | Air | | | | | | | | | | |
| Operating Pressure Range | Double Action | | | | | 0.1~0.9MPa | | | | | |
| | Single Action | | | | | 0.2~0.9MPa | | | | | |
| Ensured Pressure Resistance | 1.35MPa | | | | | | | | | | |
| Operating Temperature Range | -5~70°C | | | | | | | | | | |
| Operating Speed Range | Double Action | | | | | 30~500mm/s | | | 30~350mm/s | | 30~250mm/s |
| | Single Action | | | | | 100~500mm/s | | | | | |
| Buffer Type | Fixed Type Buffer | | | | | | | | | | |
| Port Size | M5×0.8 | | | | | G1/8" | | G1/4" | | G3/8" | |

Stroke

| | | | | | | | | | | | |
|---------------|-------------------|---|---|---|--|---|---|--|----|-----|--|
| Bore(mm) | 12 | 16 | 20 | 25 | 32 | 40 | 50 | 63 | 80 | 100 | |
| Double Action | Not attach magnet | 5~60 mm Every 5mm is grouped as one grade | 5~85 mm Every 5mm is grouped as one grade | 5~90 mm Every 5mm is grouped as one grade | 100~110 mm Every 5mm is grouped as one grade | 5~90 mm Every 5mm is grouped as one grade | 5~90 mm Every 5mm is grouped as one grade | 100~130 mm Every 5mm is grouped as one grade | | | |
| | Attach magnet | 5~50 mm Every 5mm is grouped as one grade | 5~75 mm Every 5mm is grouped as one grade | 5~90 mm Every 5mm is grouped as one grade | 100mm | 5~90 mm Every 5mm is grouped as one grade | 5~90 mm Every 5mm is grouped as one grade | 100~120 mm Every 5mm is grouped as one grade | | | |
| Single Action | Not attach magnet | 5~30 mm Every 5mm is grouped as one grade | | | | | 5~30 mm Every 5mm is grouped as one grade | | | | |
| | Attach magnet | 5~30 mm Every 5mm is grouped as one grade | | | | | 5~30 mm Every 5mm is grouped as one grade | | | | |
| Max.Stroke | 60mm | 100mm | 120mm | 120mm | 130mm | | | | | | |

Outer Thread Dimension



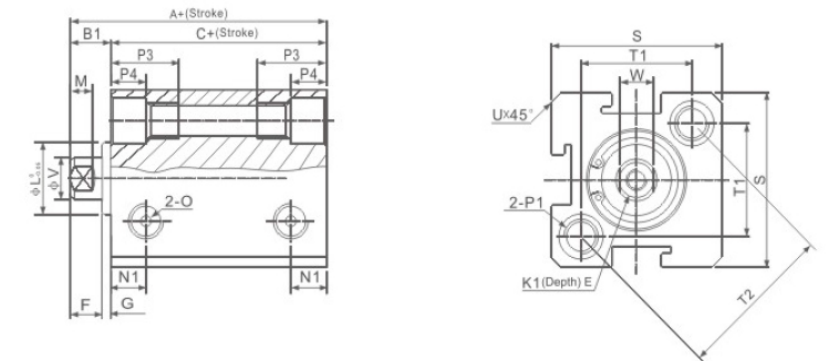
Dimension Sheet

| Bore/Symbol | B2 | E | F | G | H | I | J | K2 | L | M | V | W |
|-------------|------|----|---|-----|----|----|----|---------|------|-----|----|----|
| 12 | 17 | 16 | 4 | 1 | 10 | 8 | 4 | M5×0.8 | 10.2 | 2.8 | 6 | 5 |
| 16 | 17.5 | 16 | 4 | 1.5 | 10 | 8 | 4 | M5×0.8 | 11 | 2.8 | 6 | 5 |
| 20 | 20.5 | 19 | 4 | 1.5 | 13 | 10 | 5 | M6×1.0 | 16 | 2.8 | 8 | 6 |
| 25 | 23 | 21 | 4 | 2 | 15 | 12 | 6 | M10×1.5 | 17 | 2.8 | 10 | 8 |
| 32 | 25 | 22 | 4 | 3 | 15 | 17 | 6 | M14×1.5 | 22 | 2.8 | 12 | 10 |
| 40 | 35 | 32 | 4 | 3 | 25 | 19 | 8 | M18×1.5 | 28 | 2.8 | 16 | 14 |
| 50 | 37 | 33 | 5 | 4 | 25 | 27 | 11 | M18×1.5 | 38 | 2.8 | 20 | 17 |
| 63 | 37 | 33 | 5 | 4 | 25 | 27 | 11 | M22×1.5 | 40 | 2.8 | 20 | 17 |
| 80 | 44 | 39 | 6 | 5 | 30 | 32 | 13 | M22×1.5 | 45 | 4 | 25 | 22 |
| 100 | 50 | 45 | 7 | 5 | 35 | 36 | 13 | M26×1.5 | 55 | 4 | 32 | 27 |

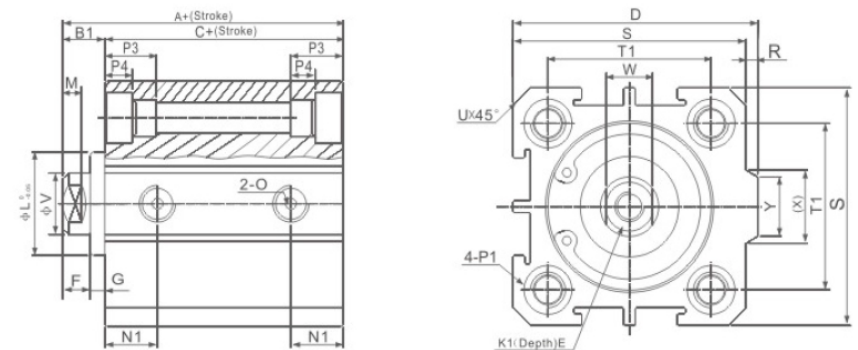
SDA Series Thin Type(Compact) Cylinder

Overall Dimensions

SDA.SDAS Type
φ12-φ16



SDA.SDAS Type
φ20-φ100



Dimension Sheet

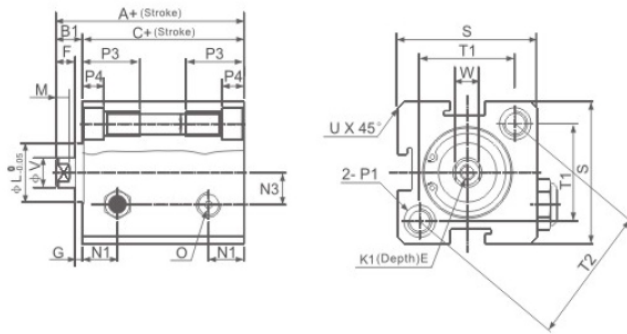
| Type | Standard type | | | Attach Magnet | | | D | E | | F | G | K1 | L | M | N1 |
|------|---------------|-----|------|---------------|-----|------|------|-------------|-------------|---|-----|---------|------|-----|------|
| | A | B1 | C | A | B1 | C | | Stroke ≤ 10 | Stroke > 10 | | | | | | |
| 12 | 22 | 5 | 17 | 32 | 5 | 27 | - | 6 | | 4 | 1 | M3×0.5 | 10.2 | 2.8 | 6.3 |
| 16 | 24 | 5.5 | 18.5 | 34 | 5.5 | 28.5 | - | 6 | | 4 | 1.5 | M3×0.5 | 11 | 2.8 | 7.3 |
| 20 | 25 | 5.5 | 19.5 | 35 | 5.5 | 29.5 | 36 | 8 | | 4 | 1.5 | M4×0.7 | 15 | 2.8 | 7.5 |
| 25 | 27 | 6 | 21 | 37 | 6 | 31 | 42 | 10 | | 4 | 2 | M5×0.8 | 17 | 2.8 | 8 |
| 32 | 31.5 | 7 | 24.5 | 41.5 | 7 | 34.5 | 50 | 12 | | 4 | 3 | M6×1 | 22 | 2.8 | 9 |
| 40 | 33 | 7 | 28 | 43 | 7 | 36 | 58.5 | 12 | | 4 | 3 | M8×1.25 | 28 | 2.8 | 10 |
| 50 | 37 | 9 | 28 | 47 | 9 | 38 | 71.5 | 15 | | 5 | 4 | M10×1.5 | 38 | 2.8 | 10.5 |
| 63 | 41 | 9 | 32 | 51 | 9 | 42 | 84.5 | 15 | | 5 | 4 | M10×1.5 | 40 | 2.8 | 11.8 |
| 80 | 52 | 11 | 41 | 62 | 11 | 51 | 104 | 15 | 20 | 6 | 5 | M14×1.5 | 45 | 4 | 14.5 |
| 100 | 63 | 12 | 51 | 73 | 12 | 61 | 124 | 18 | 20 | 7 | 5 | M18×1.5 | 55 | 4 | 20.5 |

| Bore Size/Symbol | N3 | O | P1 | P3 | P4 | R | S | T1 | T2 | U | V | W | X | Y |
|------------------|-----|--------|---|----|------|-----|-----|------|----|------|----|----|------|----|
| 12 | 6 | M5×0.8 | Double Sides: φ6.5/Thread:M5×0.8/Through ports: φ4.2 | 12 | 4.5 | - | 25 | 16.2 | 23 | 1.6 | 6 | 5 | - | - |
| 16 | 6.5 | M5×0.8 | Double Sides: φ6.5/Thread:M5×0.8/Through ports: φ4.2 | 12 | 4.5 | - | 29 | 19.8 | 28 | 1.6 | 6 | 5 | - | - |
| 20 | - | M5×0.8 | Double Sides: φ6.5/Thread:M5×0.8/Through ports: φ4.2 | 14 | 4.5 | 2 | 34 | 24 | - | 2.1 | 8 | 6 | 11.3 | 10 |
| 25 | - | M5×0.8 | Double Sides: φ6.5/Thread:M5×0.8/Through ports: φ4.2 | 15 | 5.5 | 2 | 40 | 28 | - | 3.1 | 10 | 8 | 12 | 10 |
| 32 | - | G1/8" | Double Sides: φ8.2/Thread:M6×1.0/Through ports: φ4.6 | 16 | 5.5 | 6 | 44 | 34 | - | 2.15 | 12 | 10 | 18.3 | 15 |
| 40 | - | G1/8" | Double Sides: φ10/Thread:M8×1.25/Through ports: φ6.5 | 20 | 7.5 | 6.5 | 52 | 40 | - | 2.25 | 16 | 14 | 21.3 | 16 |
| 50 | - | G1/4" | Double Sides: φ11/Thread:M8×1.25/Through ports: φ6.5 | 25 | 8.5 | 9.5 | 62 | 48 | - | 4.15 | 20 | 17 | 30 | 20 |
| 63 | - | G1/4" | Double Sides: φ11/Thread:M8×1.25/Through ports: φ6.5 | 25 | 8.5 | 9.5 | 75 | 60 | - | 3.15 | 20 | 17 | 28.7 | 20 |
| 80 | - | G3/8" | Double Sides: φ14/Thread:M12×1.75/Through ports: φ9.2 | 25 | 10.5 | 10 | 94 | 74 | - | 3.65 | 25 | 22 | 36 | 26 |
| 100 | - | G3/8" | Double Sides: φ17.5/Thread:M14×2/Through ports: φ11.3 | 30 | 13 | 10 | 114 | 90 | - | 3.65 | 32 | 27 | 35 | 26 |

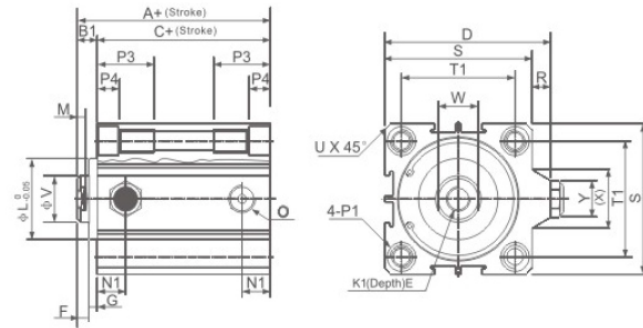
SDA Series Thin Type(Compact) Cylinder

Overall Dimensions

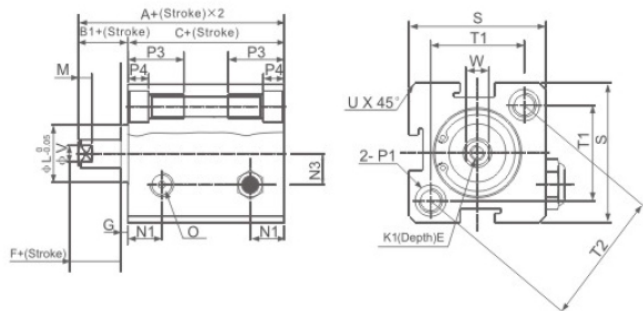
SSA.SSAS Type $\phi 12 - \phi 16$



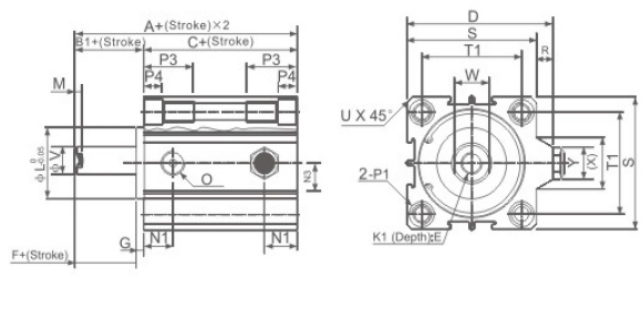
SSA.SSAS Type $\phi 20 - \phi 40$



STA.STAS Type $\phi 12 - \phi 16$



STA.STAS Type $\phi 20 - \phi 40$



Dimension Sheet

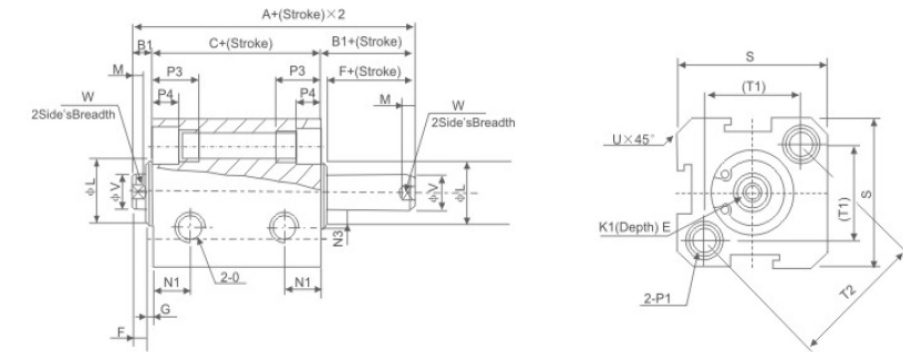
| Type | Standard Type | | | | Attach magnet | | | | D | E | F | G | K1 | L | M | N1 | | |
|------|---------------|------|-----|------|---------------|------|------|-----|------|------|------|----|----|-----|---------|---------------------|-----|-----|
| | A | | B1 | C | | A | | B1 | | | | | | | | | C | |
| | ≤10 | >10 | | ≤10 | >10 | ≤10 | >10 | | | | | | | | | | ≤10 | >10 |
| 12 | 32 | 42 | 5 | 27 | 37 | 42 | 52 | 5 | 37 | 47 | - | 6 | 4 | 1 | M3×0.5 | 10.2 ^{2.8} | 6.3 | |
| 16 | 34 | 44 | 5.5 | 28.5 | 38.5 | 44 | 54 | 5.5 | 38.5 | 48.5 | - | 6 | 4 | 1.5 | M3×0.5 | 11 ^{2.8} | 7.3 | |
| 20 | 35 | 45 | 5.5 | 29.5 | 39.5 | 45 | 55 | 5.5 | 39.5 | 49.5 | 36 | 8 | 4 | 1.5 | M4×0.7 | 16 ^{2.8} | 7.5 | |
| 25 | 37 | 47 | 6 | 34 | 41 | 47 | 57 | 6 | 41 | 51 | 42 | 10 | 4 | 2 | M5×0.8 | 17 ^{2.8} | 8 | |
| 32 | 41.5 | 51.5 | 7 | 34.5 | 44.5 | 51.5 | 61.5 | 7 | 44.5 | 54.5 | 50 | 12 | 4 | 3 | M6×1 | 22 ^{2.8} | 9 | |
| 40 | 43 | 53 | 7 | 36 | 46 | 53 | 63 | 7 | 46 | 56 | 58.5 | 12 | 4 | 3 | M8×1.25 | 28 ^{2.8} | 10 | |

| Bore Size/Symbol | N3 | O | P1 | P3 | P4 | R | S | T1 | T2 | U | V | W | X | Y |
|------------------|-----|--------|---|----|-----|-----|----|------|----|------|----|----|------|----|
| 12 | 6 | M5×0.8 | Double Sides: $\phi 6.5$ /Thread:M5×0.8/Through ports: $\phi 4.2$ | 12 | 4.5 | - | 25 | 16.2 | 23 | 1.6 | 6 | 5 | - | - |
| 16 | 6.5 | M5×0.8 | Double Sides: $\phi 6.5$ /Thread:M5×0.8/Through ports: $\phi 4.2$ | 12 | 4.5 | - | 29 | 19.8 | 28 | 1.6 | 6 | 5 | - | - |
| 20 | - | M5×0.8 | Double Sides: $\phi 6.5$ /Thread:M5×0.8/Through ports: $\phi 4.2$ | 14 | 4.5 | 2 | 34 | 24 | - | 2.1 | 8 | 6 | 11.3 | 10 |
| 25 | - | M5×0.8 | Double Sides: $\phi 8.2$ /Thread:M6×1.0/Through ports: $\phi 4.6$ | 15 | 5.5 | 2 | 40 | 28 | - | 3.1 | 10 | 8 | 12 | 10 |
| 32 | - | G1/8" | Double Sides: $\phi 8.2$ /Thread:M6×1.0/Through ports: $\phi 4.6$ | 16 | 5.5 | 6 | 44 | 34 | - | 2.15 | 12 | 10 | 18.3 | 15 |
| 40 | - | G1/8" | Double Sides: $\phi 10$ /Thread:M8×1.25/Through ports: $\phi 6.5$ | 20 | 7.5 | 6.5 | 52 | 40 | - | 2.25 | 16 | 14 | 21.3 | 16 |

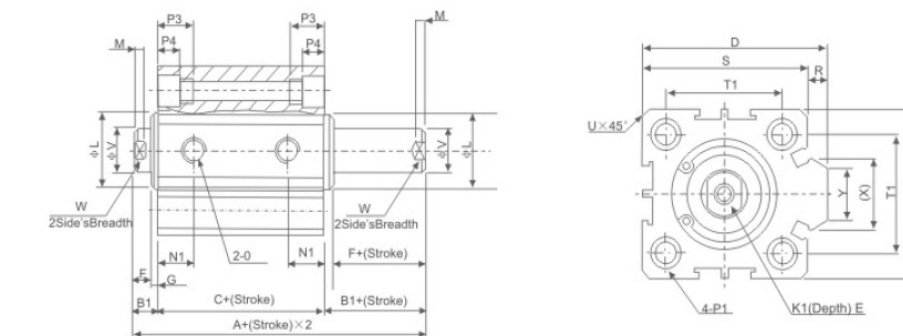
SDA Series Thin Type(Compact) Cylinder

Overall Dimensions

SDAD.SDADS Type $\phi 12 - \phi 16$



SDAD.SDADS Type $\phi 20 - \phi 100$



Dimension Sheet

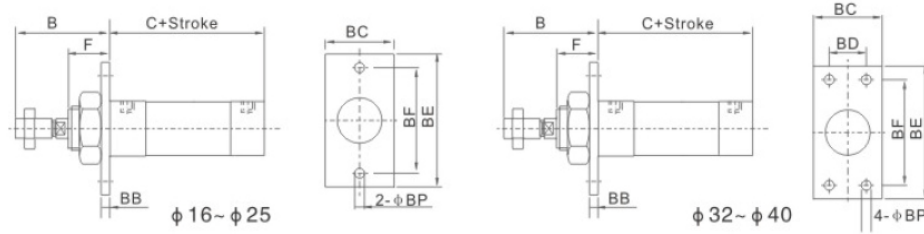
| Type | Standard type | | | Attach Magnet | | | D | E | | F | G | K1 | L | M | N1 |
|------|---------------|-----|------|---------------|-----|------|------|--------------------|-------------|-----|---------|---------------------|------|---|----|
| | A | B1 | C | A | B1 | C | | Stroke ≤ 10 | Stroke > 10 | | | | | | |
| 12 | 27 | 5 | 17 | 37 | 5 | 27 | - | 6 | 4 | 1 | M3×0.5 | 10.2 ^{2.8} | 6.3 | | |
| 16 | 29.5 | 5.5 | 18.5 | 39.5 | 5.5 | 28.5 | - | 6 | 4 | 1.5 | M3×0.5 | 11 ^{2.8} | 7.3 | | |
| 20 | 30.5 | 5.5 | 19.5 | 40.5 | 5.5 | 29.5 | 36 | 8(Stroke=5/tis6.5) | 4 | 1.5 | M4×0.7 | 16 ^{2.8} | 7.5 | | |
| 25 | 33 | 6 | 21 | 43 | 6 | 31 | 42 | 10(Stroke=5/tis7) | 4 | 2 | M5×0.8 | 17 ^{2.8} | 8 | | |
| 32 | 38.5 | 7 | 24.5 | 48.5 | 7 | 34.5 | 50 | 8 | 4 | 3 | M6×1 | 22 ^{2.8} | 9 | | |
| 40 | 40 | 7 | 28 | 50 | 7 | 36 | 58.5 | 9 | 4 | 3 | M8×1.25 | 28 ^{2.8} | 10 | | |
| 50 | 46 | 9 | 28 | 56 | 9 | 38 | 71.5 | 11 | 5 | 4 | M10×1.5 | 38 ^{2.8} | 10.5 | | |
| 63 | 50 | 9 | 32 | 60 | 9 | 42 | 84.5 | 11 | 5 | 4 | M10×1.5 | 40 ^{2.8} | 11.8 | | |
| 80 | 63 | 11 | 41 | 73 | 11 | 51 | 104 | 14 | 6 | 5 | M14×1.5 | 45 ⁴ | 14.5 | | |
| 100 | 75 | 12 | 51 | 85 | 12 | 61 | 124 | 18 | 7 | 5 | M18×1.5 | 55 ⁴ | 20.5 | | |

| Bore Size/Symbol | N3 | O | P1 | P3 | P4 | R | S | T1 | T2 | U | V | W | X | Y |
|------------------|-----|--------|--|----|------|-----|-----|------|----|------|----|----|------|----|
| 12 | 6 | M5×0.8 | Double Sides: $\phi 6.5$ /Thread:M5×0.8/Through ports: $\phi 4.2$ | 12 | 4.5 | - | 25 | 16.2 | 23 | 1.6 | 6 | 5 | - | - |
| 16 | 6.5 | M5×0.8 | Double Sides: $\phi 6.5$ /Thread:M5×0.8/Through ports: $\phi 4.2$ | 12 | 4.5 | - | 29 | 19.8 | 28 | 1.6 | 6 | 5 | - | - |
| 20 | - | M5×0.8 | Double Sides: $\phi 6.5$ /Thread:M5×0.8/Through ports: $\phi 4.2$ | 14 | 4.5 | 2 | 34 | 24 | - | 2.1 | 8 | 6 | 11.3 | 10 |
| 25 | - | M5×0.8 | Double Sides: $\phi 8.2$ /Thread:M6×1.0/Through ports: $\phi 4.6$ | 15 | 5.5 | 2 | 40 | 28 | - | 3.1 | 10 | 8 | 12 | 10 |
| 32 | - | G1/8" | Double Sides: $\phi 8.2$ /Thread:M6×1.0/Through ports: $\phi 4.6$ | 16 | 5.5 | 6 | 44 | 34 | - | 2.15 | 12 | 10 | 18.3 | 15 |
| 40 | - | G1/8" | Double Sides: $\phi 10$ /Thread:M8×1.25/Through ports: $\phi 6.5$ | 20 | 7.5 | 6.5 | 52 | 40 | - | 2.25 | 16 | 14 | 21.3 | 16 |
| 50 | - | G1/4" | Double Sides: $\phi 11$ /Thread:M8×1.25/Through ports: $\phi 6.5$ | 25 | 8.5 | 9.5 | 62 | 48 | - | 4.15 | 20 | 17 | 30 | 20 |
| 63 | - | G1/4" | Double Sides: $\phi 11$ /Thread:M8×1.25/Through ports: $\phi 6.5$ | 25 | 8.5 | 9.5 | 75 | 60 | - | 3.15 | 20 | 17 | 28.7 | 20 |
| 80 | - | G3/8" | Double Sides: $\phi 14$ /Thread:M12×1.75/Through ports: $\phi 9.2$ | 25 | 10.5 | 10 | 94 | 74 | - | 3.65 | 25 | 22 | 36 | 26 |
| 100 | - | G3/8" | Double Sides: $\phi 17.5$ /Thread:M14×2/Through ports: $\phi 11.3$ | 30 | 13 | 10 | 114 | 90 | - | 3.65 | 32 | 27 | 35 | 26 |

Mini Cylinder Accessories



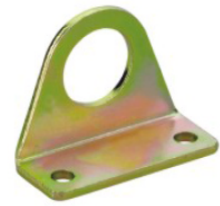
M-FA Type Flange



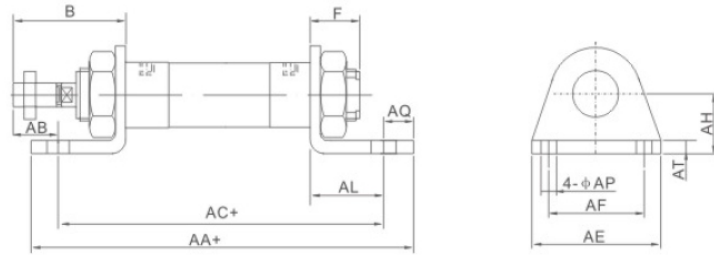
M-FA-A Type

| Bore | B | C | | C(MSA Series) | | C(MSAL Series) | | BB | BC | BD | BE | BF | BP | F |
|------|----|-----------|------------|---------------|--------|----------------|--------|----|----|----|----|----|-----|----|
| | | MA Series | MAL Series | 0-50 | 51-100 | 0-50 | 51-100 | | | | | | | |
| 16 | 38 | 60 | - | 60 | 85 | - | - | 3 | 26 | - | 52 | 40 | 5.5 | 16 |
| 20 | 40 | 76 | 70 | 76 | 101 | 70 | 95 | 4 | 33 | - | 64 | 50 | 6.5 | 12 |
| 25 | 44 | 76 | 70 | 76 | 101 | 70 | 95 | 4 | 33 | - | 64 | 50 | 6.5 | 14 |
| 32 | 44 | 76 | 70 | 76 | 101 | 70 | 95 | 4 | 47 | 33 | 72 | 58 | 6.5 | 14 |
| 40 | 46 | 76 | 92 | 76 | 101 | 92 | 117 | 4 | 50 | 36 | 84 | 70 | 6.5 | 14 |

Our company can also provide this used for mini cylinder flange from 16~25, if you need, pls add A after all ordering code, like M-FA-20-A



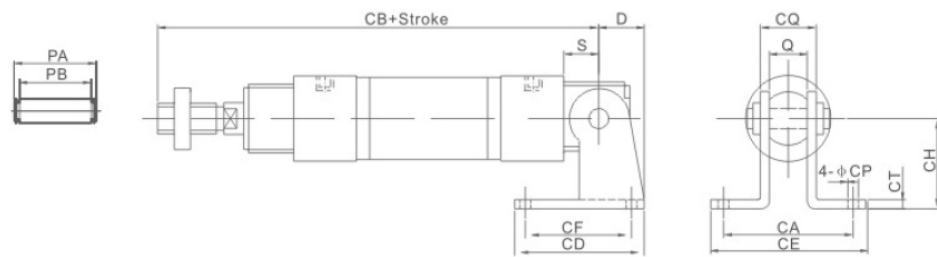
M-LB Type Foot Bracket



| Symbol Bore | B | F | AA (MA Series) | AA (MAL Series) | AA(MSA Series) | | AA(MSAL Series) | | AB | AC (MA Series) | AC (MAL Series) | AC(MSA Series) | | AC(MSAL Series) | | AE | AF | AL | AQ | AP | AT | AH |
|----------------|----|----|-------------------|--------------------|----------------|--------|-----------------|--------|----|-------------------|--------------------|----------------|--------|-----------------|--------|----|----|----|----|-----|-----|----|
| | | | | | 0-50 | 51-100 | 0-50 | 51-100 | | | | 0-50 | 51-100 | 0-50 | 51-100 | | | | | | | |
| 16 | 38 | 16 | 98 | - | 98 | 123 | - | - | 25 | 86 | - | 86 | 111 | - | - | 44 | 32 | 13 | 6 | 5.5 | 3 | 20 |
| 20 | 40 | 12 | 122 | 116 | 122 | 147 | 116 | 141 | 25 | 106 | 100 | 106 | 131 | 100 | 125 | 54 | 40 | 15 | 8 | 6.5 | 3 | 25 |
| 25 | 44 | 14 | 122 | 116 | 122 | 147 | 116 | 141 | 29 | 106 | 100 | 106 | 131 | 100 | 125 | 54 | 40 | 15 | 8 | 6.5 | 3 | 25 |
| 32 | 44 | 14 | 142 | 136 | 142 | 167 | 136 | 161 | 19 | 126 | 120 | 126 | 151 | 120 | 145 | 59 | 45 | 25 | 8 | 6.5 | 4 | 32 |
| 40 | 46 | 14 | 142 | 158 | 142 | 167 | 158 | 183 | 21 | 126 | 142 | 126 | 151 | 142 | 167 | 64 | 50 | 25 | 8 | 6.5 | 4.5 | 36 |



M-SDB Type Bracket



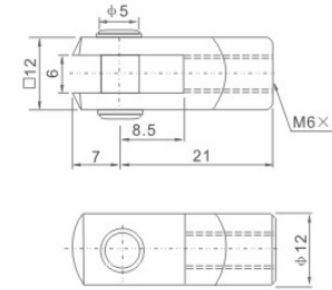
| Symbol Bore | D | S | Q | CA | CB(MA Series) | CB(MAL Series) | CB(MSA Series) | | CB(MSAL Series) | | CD | CE | CF | CH | CT | CP | CQ | PA | PB |
|----------------|----|----|----|----|---------------|----------------|----------------|--------|-----------------|--------|----|----|----|----|----|-----|------|----|------|
| | | | | | | | 0-50 | 51-100 | 0-50 | 51-100 | | | | | | | | | |
| 16 | 16 | 9 | 12 | - | 107 | - | 107 | 132 | - | - | 23 | - | 12 | 20 | 3 | 5.5 | 16.5 | 21 | 17 |
| 20 | 21 | 12 | 16 | 51 | 128 | 122 | 128 | 153 | 122 | 147 | 48 | 67 | 32 | 32 | 3 | 6.5 | 22 | 27 | 22.5 |
| 25 | 21 | 12 | 16 | 51 | 132 | 126 | 132 | 157 | 126 | 151 | 48 | 67 | 32 | 32 | 3 | 6.5 | 22 | 27 | 22.5 |
| 32 | 27 | 15 | 16 | 51 | 135 | 129 | 135 | 160 | 129 | 154 | 52 | 67 | 36 | 36 | 3 | 6.5 | 24 | 30 | 24.5 |
| 40 | 27 | 15 | 20 | 55 | 137 | 153 | 137 | 162 | 153 | 178 | 56 | 71 | 40 | 40 | 3 | 6.5 | 28 | 34 | 28.5 |

Mini Cylinder Accessories

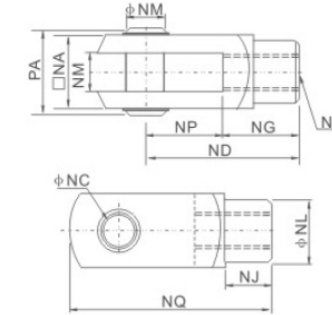


M-Y+Pin

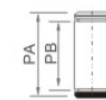
M-Y+Clip



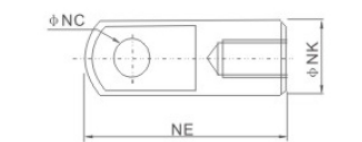
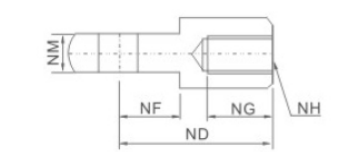
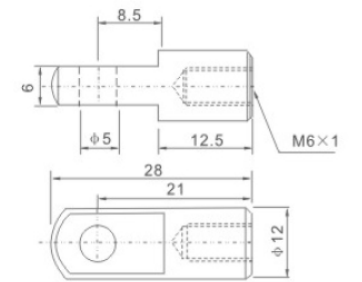
M-I Joint



φ 16



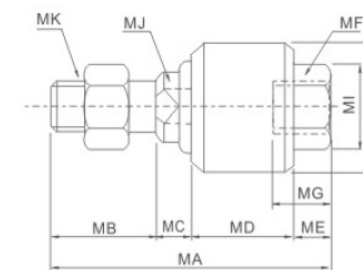
φ 20-φ 40



| Symbol/Bore | NA | NC | ND | NE | NF | NG | NH | NJ | NK | NL | NM | NN | NP | NQ | PA | PB |
|-------------|------|----|----|----|----|----|----------|----|----|----|----|----|----|----|----|------|
| 20 | 16 | 8 | 30 | 40 | 11 | 15 | M8×1.25 | 10 | 16 | 14 | 8 | 8 | 15 | 40 | 21 | 16.5 |
| 25 | 19 | 10 | 40 | 52 | 15 | 20 | M10×1.25 | 12 | 20 | 18 | 10 | 10 | 20 | 52 | 25 | 19.5 |
| 32 | 19 | 10 | 40 | 52 | 15 | 20 | M10×1.25 | 12 | 20 | 18 | 10 | 10 | 20 | 52 | 25 | 19.5 |
| 40 | 25.4 | 10 | 45 | 57 | 15 | 25 | M12×1.25 | 15 | 24 | 23 | 14 | 10 | 20 | 57 | 31 | 26 |



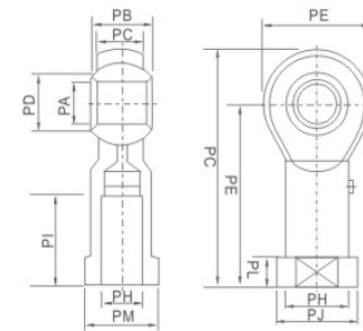
M-UJ Type Float Joint



| Symbol/Bore | MA | MB | MC | MD | ME | MF | MG | MH | MI | MJ | MK |
|-------------|----|----|----|----|----|----------|----|----|----|----|----------|
| 20 | 51 | 20 | 6 | 17 | 8 | M8×1.25 | 12 | 24 | 13 | 8 | M8×1.25 |
| 25 | 58 | 22 | 7 | 21 | 8 | M10×1.25 | 12 | 26 | 17 | 10 | M10×1.25 |
| 32 | 58 | 22 | 7 | 21 | 8 | M10×1.25 | 12 | 26 | 17 | 10 | M10×1.25 |
| 40 | 58 | 22 | 8 | 21 | 7 | M12×1.25 | 12 | 28 | 19 | 12 | M12×1.25 |



M-PHS Type Fish Eye Joint



| Symbol/Bore | PA | PB | PC | PD | PE | PF | PG | PH | PI | PJ | PK | PL | PM |
|-------------|----|----|----|------|----|----|----|----------|----|----|------|-----|----|
| 20 | 8 | 12 | 9 | 10.4 | 22 | 36 | 47 | M8×1.25 | 17 | 16 | 12.5 | 5 | 14 |
| 25 | 10 | 14 | 11 | 12.9 | 26 | 43 | 56 | M10×1.25 | 21 | 19 | 15 | 6.5 | 17 |
| 32 | 10 | 14 | 11 | 12.9 | 26 | 43 | 56 | M10×1.25 | 21 | 19 | 15 | 6.5 | 17 |
| 40 | 12 | 16 | 12 | 15.4 | 30 | 50 | 65 | M12×1.25 | 24 | 22 | 17.5 | 6.5 | 19 |