

Features

- ◇ Straight through design avoids blocking while transferring materials and easy to maintain. Suitable for transferring particles.
- ◇ Available in different bore sizes, max flow can be achieved with in line bore size up to 75 mm




Applications

- ◇ Transferring materials
- ◇ Transferring porous material such as textile, paper, foam, etc.
- ◇ Transferring particles such as powder , beans, coffee beans and other bulk goods.
- ◇ Removal of non-corrosive vapour and gas.

How to order

ACPS 10

① ②

① Series	② Nozzle diameter	Material
ACPS	10 - φ10mm 20 - φ20mm 40 - φ40mm 75 - φ75mm	Nil - Aluminum alloy 

Selection

Model/Material	Aluminum alloy
ACPS10	●
ACPS20	●
ACPS40	●
ACPS75	○

◇ Note: "●"- default , in stock. "○"-selective,no stock.

Technical parameters

Model	Nozzle diameter (mm)	Air supply pressure (bar)	Vacuum level (-kPa)	Vacuum flow (NL/min)	Air consumption (NL/min)	Weight (g)	Operating temperature (°C)
ACPS10	10	5.0	12	550	140	77	-20~80
ACPS20	20	5.0	4	1,375	265	189	-20~80
ACPS40	40	5.0	2	2,250	470	522	-20~80
ACPS75	75	5.0	1	8,640	876	2,308	-20~80

◇Note:Air supply pressure 2-6 bar.

AZK

AGS

AGL

AGB

AGP

AGX

AMC

AEVC

ALS

AZR

ABM/ABX

ABM/ABX
Combined type

ASM/ASX

ASM/ASX
Combined type

AM/AL/AH

AM/AL/AH
Combined type

AZL

ACP

ACPF

ACPS

ACV

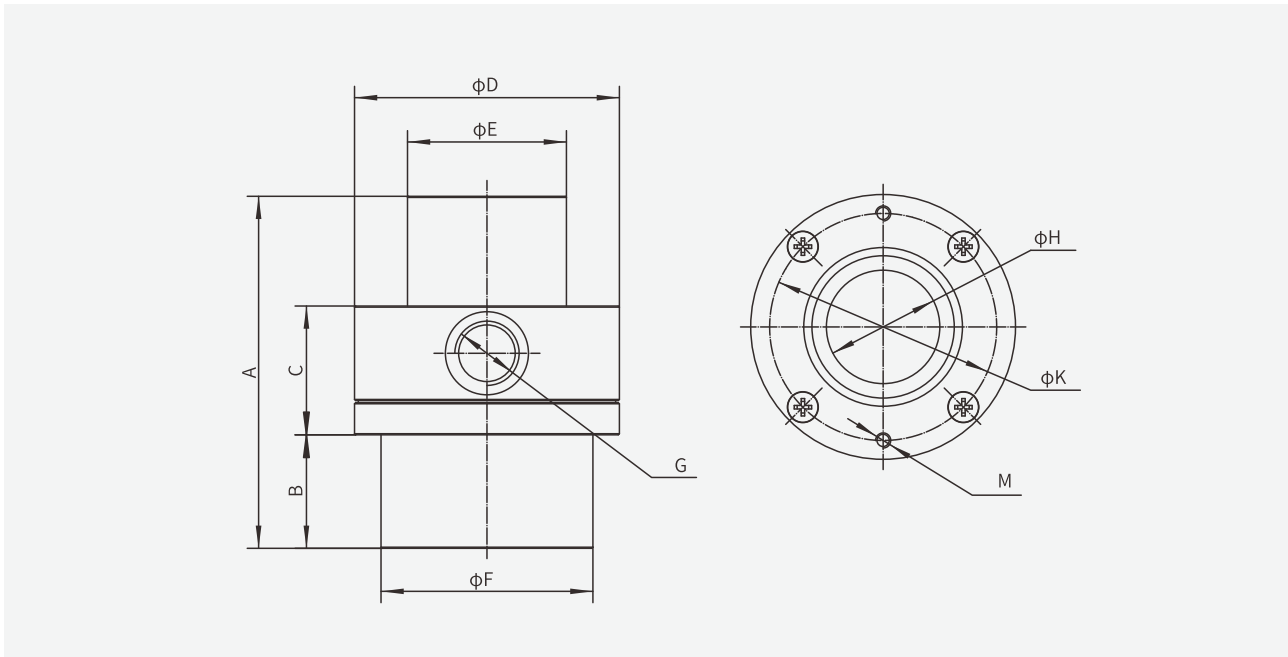
AQV

AZH

AZU

ASBP

Dimensions (mm)



Model/Size	A	B	C	D	E	F	G	H	K	M
ACPS10	70	23	21	37	19	19	G1/8	10	29	2-M3
ACPS20	90	30	30	50	32	38	G1/4	20	41.5	2-M4
ACPS40	94	30	34	84	52	75	G3/8	40	72	2-M4
ACPS75	180	35	65	140	100	125	G1/2	75	126	2-M6