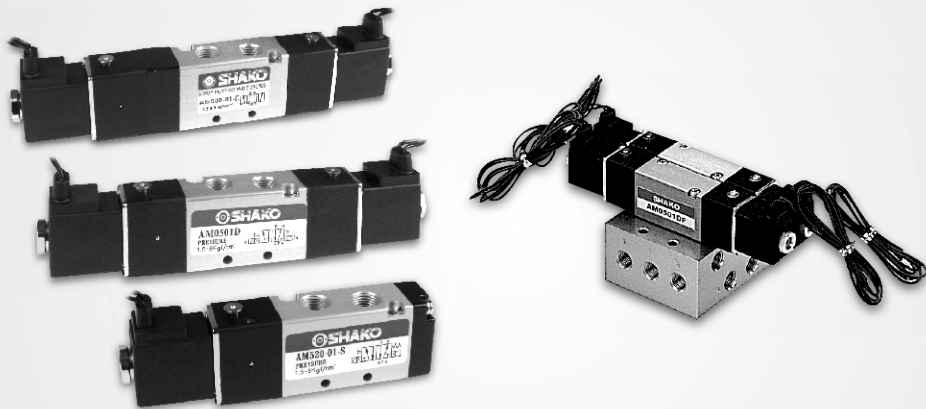


Features

- * Medium and compact size, 18mm width solenoid valve.
- * Manual override design for easy test and operation.
- * Anodized aluminum body and strict quality control provide a long durability.



How to order

AM520	B	X	-	01	N	-	S	2	D	LED
18mm valves series	Valve type	Acting style		Port size	Thread	Solenoid		Voltage	Coil type	LED
52 5/2 way 53 5/3 way	Blank Body ported B Base mounted	Blank Standard X Exhaust center Y Pressurized center	01 1/8"	Blank G N NPT	S Single solenoid D Double solenoid	1 110VAC 2 220VAC 9 24VDC	Blank Lead wire D DIN	Blank (W/O LED)		

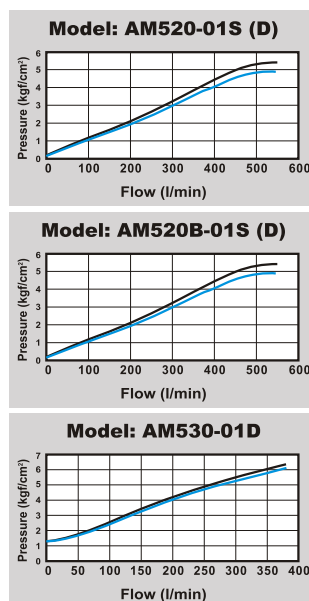
How to order manifold

MF520	-	01	N	02	SF520	-	01	N	02
18mm valves series		Port size	Thread	Stations	18mm valves series		Port size	Thread	Stations
For body ported valve		01 1/8"	Blank G N NPT	02 2 stations 03 3 stations XX XX stations	For base mounted valve		01 1/8"	Blank G N NPT	02 2 stations 03 3 stations XX XX stations

Specifications

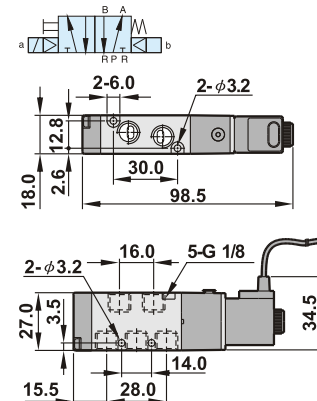
Model	AM520-01-S(D)	AM520B-01-S(D)	AM530-01-D
Port size	1/8"		
Body material	Aluminum alloy		
Fluid	Compressed air		
Acting	Internal pilot		
Sectional area	11mm ² / 25mm ²		9mm ²
Operating pressure range	1.5~8 kgf/cm ²		2~7 kgf/cm ²
Proof pressure	9.9 kgf/cm ²		
Ambient temperature	-10℃ ~ 50℃		
Duty cycle	100% ED		
Coil type	Lead wire (Standard), DIN (Option)		
Protection class	IP65 (DIN 40 050)		
Insulation class	F		
Voltage tolerance	±10%		
Standard voltage	220VAC, 110VAC, 24VDC (The other voltage is optional)		
Net weight	125g (195g)	580g (660g)	215g

Flow chart

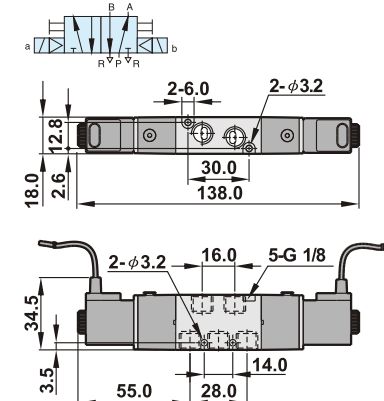


Dimensions

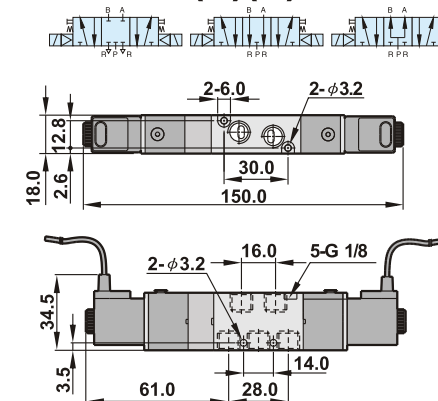
AM520-01-S



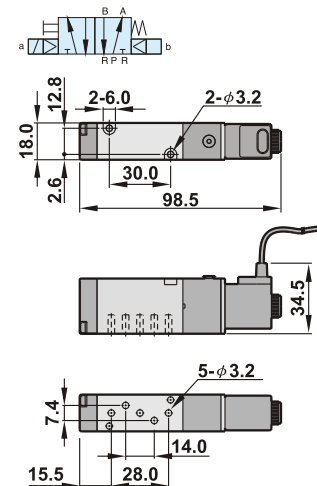
AM520-01-D



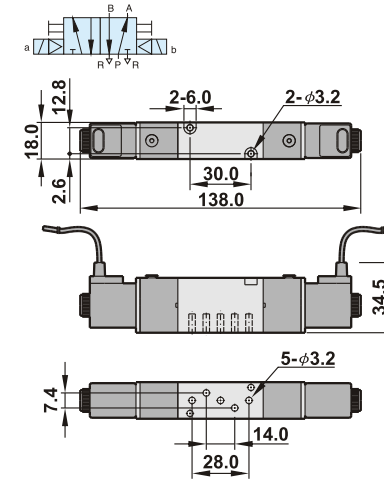
AM530(X)(Y)-01-D



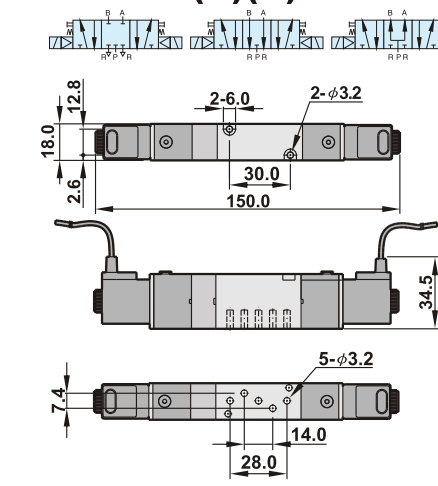
AM520B-01-S



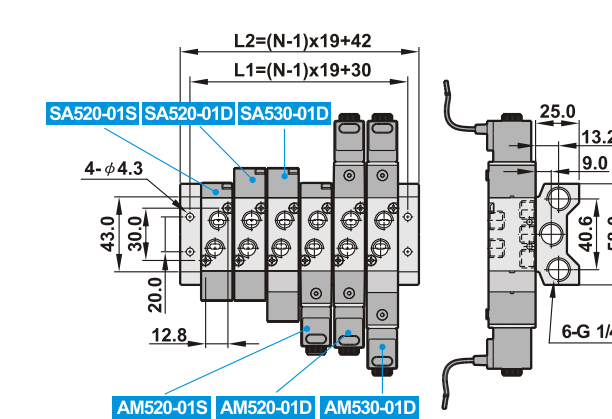
AM520B-01-D



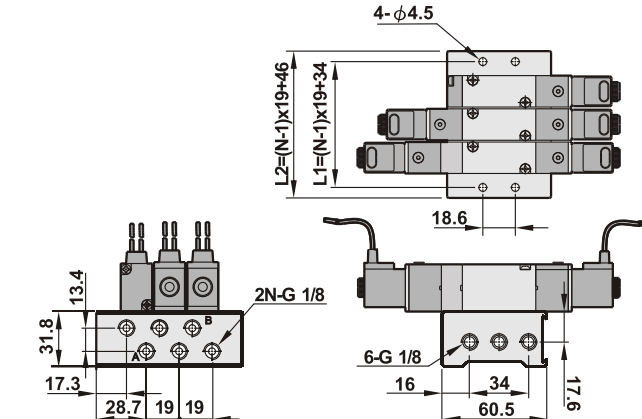
AM530(X)(Y)B-01-D



MF520-0106



SF520-0103



Number of station (N)	2	3	4	5	6	7	8	9	10
L1	49	68	87	106	125	144	163	181	201
L2	61	80	99	118	137	156	175	194	213

Number of station (N)	2	3	4	5	6	7	8	9	10
L1	53	72	91	110	129	148	167	186	205
L2	65	84	103	122	141	160	179	198	217