

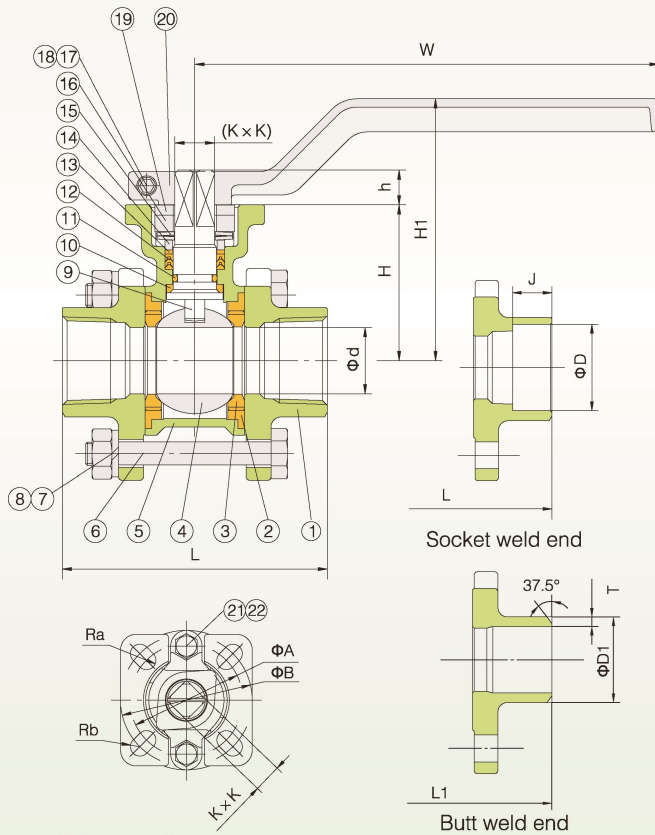
# 3-PC BALL VALVE WITH DIRECT MOUNTING PAD THREAD & SW & BW END



## Features

- Full port, 1/4"~4" (DN8~DN100)
- W.P.: 1000WOG (PN63)
- W.T.: -20°C~180°C
- Investment casting
- Blow-out proof stem
- Live-loading design
- Anti-static device (option)
- Locking device handle
- ISO 5211 Direct mounting pad
- Automation accessories (option)
- Thread type: ASME B1.20.1 (NPT), DIN 259 / DIN 2999, BS 21, ISO 288-1, ISO 7-1
- Socket weld type: ASME B16.11 & DIN3239 part2
- Butt weld type: ASME B16.25 & DIN3239 part1

## Material List



No.	PARTS	MATERIAL		
1	BONNET	WCB	CF8	CF8M
2	GASKET	PTFE		
3	SEAT	PTFE		
4	BALL	CF8	CF8	CF8M
5	BODY	WCB	CF8	CF8M
6	BOLT	304		
7	SPRING WASHER	304		
8	NUT	304		
9	STEM	304	304	316
10	STEM WASHER	PTFE+25% GF		
11	O-RING	FPM		
12	PACKING	PTFE		
13	WEAR WASHER	PTFE+25% GF		
14	GLAND	304		
15	DISC SPRING	304		
16	GLAND FLANGE	CF8		
17	HEX SOCKET BOLT	304		
18	NUT	304		
19	STOPPER	304		
20	HANDLE	WCB/CF8		
21	BOLT	304		
22	NUT	304		

## Dimensions

Unit: mm

SIZE	d	L	H	h	KxK	A	B	Ra	Rb	W	H1	D	J	L1	D1	T	
1/4"	DN8	10	68	43	9	9×9	36	42	3.0	3.0	140	75	14.2	9.5	63	14.5	2.25
3/8"	DN10	12	68	43	9	9×9	36	42	3.0	3.0	140	75	17.6	9.5	63	17.5	2.75
1/2"	DN15	15	75	43	9	9×9	36	42	3.0	3.0	140	75	21.8	9.5	70	21.5	3.0
3/4"	DN20	20	80	47	9	9×9	36	42	3.0	3.0	140	79	27.2	12.5	80	27	3.0
1"	DN25	25	90	57	11	11×11	42	50	3.0	3.5	170	92	33.9	12.5	90	34	3.5
1-1/4"	DN32	32	110	63	11	11×11	42	50	3.0	3.5	170	98	42.7	12.5	104	42.5	3.7
1-1/2"	DN40	38	120	72	14	14×14	50	70	3.5	4.5	200	110	48.8	12.5	116	48.5	4
2"	DN50	50	140	80	14	14×14	50	70	3.5	4.5	200	118	61.2	16	138	60.5	4
2-1/2"	DN65	65	168	98	17	17×17	70	102	4.5	5.5	300	142	73.9	16	182	74	4.5
3"	DN80	80	194	110	17	17×17	70	102	4.5	5.5	300	154	89.8	16	203	90	5
4"	DN100	100	250	132	17	17×17	70	102	4.5	5.5	300	176	115.2	19	252	114.5	6